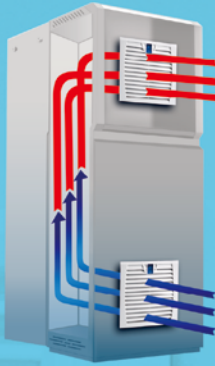




FAN AND FILTER



Introduction To Fan And Filter Classification



Low noise



Energy saving



Water proofing



Copper motor



High Air-flow



Fast installation



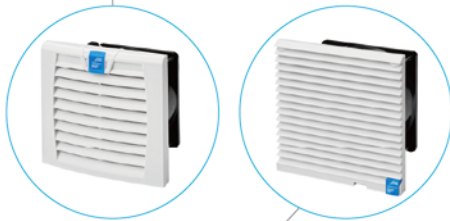
with EMC function

1. LK32 series

Easy-open buckle



Power supply working indicator option



3. FF series

Standard material PC+Alloy, UV resistance



Corrugated filter mat option



5. FU series

Flexible fan size by embedded nuts

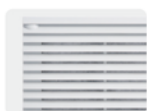


Air duct optional



2. LK66 series

Straight line grill design



High quality waterproofsealing ring



4. FK55 series

Thinner cover

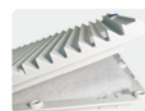


Curve line grill design



6. FK series

Easy-open structure, quicker maintenance of filter mat



Flexible fan size by embedded nuts



LK3237 .230

LK3237 .300



SPECIFICATION

Fan filter model	LK3237.230	LK3237.115	LK3237.024
Rated voltage	200-240V AC	100-125V AC	24V DC
Rated frequency	50/60Hz	50/60Hz	—
Air flow rate, free blowing	25/35m ³ /h	25/35m ³ /h	35m ³ /h
Air flow rate, Equipped with standard filter mat	1 x LK3237.300: 20/25m ³ /h		
Axial flow fan	Self starting shaded pole motor		
Rated current	0.07A/0.06A	0.12A/0.11A	0.08A
Power	12/11W	12/11W	1.92W
Noise level	37/41dB(A)	37/41dB(A)	41dB(A)
Operating temperature range	-30°C ~ +70°C	-30°C ~ +70°C	-30°C ~ +70°C
Outlet filter model	LK3237.300	LK3237.300	LK3237.300
Material	Thermoplastic, UL94 V-0 (optional)		
Air flow direction	Air-in as standard; air-out optional		



Power Supply Work Indicator (optional)

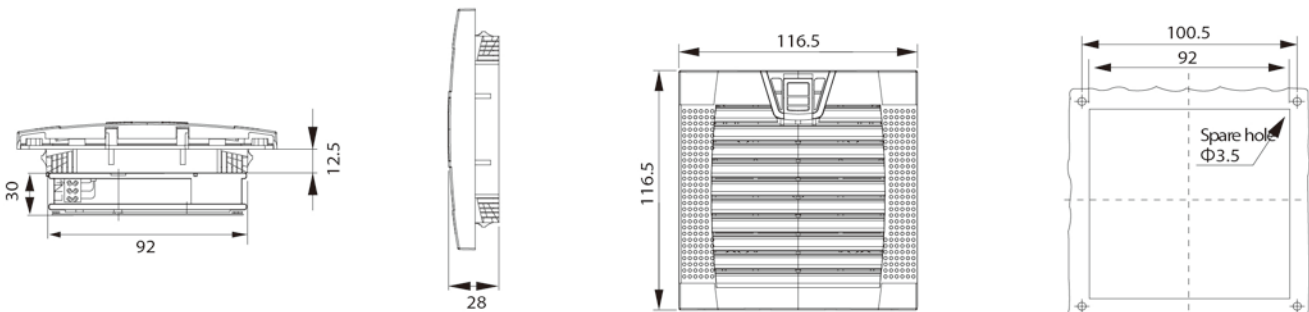


Easy Replacement of Filter Pad



Different Colors Can Be Customized

DIMENSION (mm)



LK3238 .230

LK3238 .300



IP54

CE

RoHS
COMPLIANT

-30 +70
°C

SPECIFICATION

Fan filter model	LK3238.230	LK3238.115	LK3238.024
Rated voltage	200-240V AC	100-125V AC	24V DC
Rated frequency	50/60Hz	50/60Hz	—
Air flow rate, free blowing	65/85m ³ /h	65/85m ³ /h	100m ³ /h
Air flow rate, Equipped with standard filter mat	1 x LK3238.300: 55/70m ³ /h		
Axial flow fan	Self starting shaded pole motor		
Rated current	0.12A/0.11A	0.24A/0.22A	0.2A
Power	19/18W	19/18W	4.8W
Noise level	41/42dB(A)	41/42dB(A)	41dB(A)
Operating temperature range	-30°C ~ +70°C	-30°C ~ +70°C	-30°C ~ +70°C
Outlet filter model	LK3238.300	LK3238.300	LK3238.300
Material	Thermoplastic, UL94 V-0 (optional)		
Air flow direction	Air-in as standard; air-out optional		



Power Supply Work Indicator (optional)

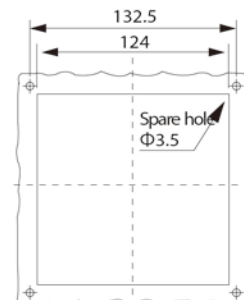
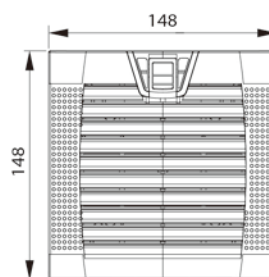
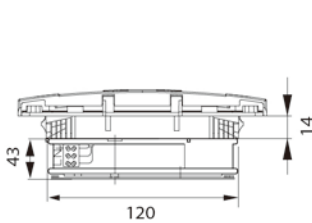


Easy Replacement of Filter Pad



Different Colors Can Be Customized

DIMENSION (mm)





LK3239.230

LK3239.300



IP54

CE

RoHS
COMPLIANT

-30 +70
°C

SPECIFICATION

Fan filter model	LK3239.230	LK3239.115	LK3239.024
Rated voltage	200-240V AC	100-125V AC	24V DC
Rated frequency	50/60Hz	50/60Hz	—
Air flow rate, free blowing	105/126m ³ /h	105/126m ³ /h	126m ³ /h
Air flow rate, Equipped with standard filter mat	1×LK3239.300:78/90m ³ /h		
Axial flow fan	Self starting shaded pole motor		
Rated current	0.12A/0.11A	0.24A/0.22A	0.2A
Power	19/18W	19/18W	4.8W
Noise level	41/42dB(A)	41/42dB(A)	41dB(A)
Operating temperature range	-30°C ~ +70°C	-30°C ~ +70°C	-30°C ~ +70°C
Outlet filter model	LK3239.300	LK3239.300	LK3239.300
Material	Thermoplastic, UL94 V-0 (optional)		
Air flow direction	Air-in as standard; air-out optional		



Power Supply Work Indicator (optional)

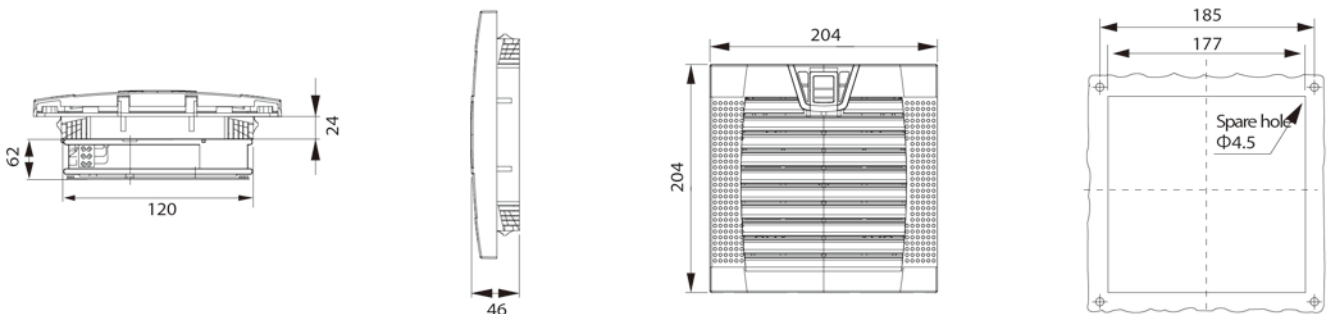


Easy Replacement of Filter Pad



Different Colors Can Be Customized

DIMENSION (mm)





LK3240-P.230



LK3240.300



IP54

CE

RoHS
COMPLIANT

-30 +70
°C

SPECIFICATION

Fan filter model	LK3240-P.230	LK3240-P.115	LK3240.024
Rated voltage	200-240V AC	100-125V AC	24V DC
Rated frequency	50/60Hz	50/60 Hz	—
Air flow rate, free blowing	220/240m ³ /h	220/240m ³ /h	300m ³ /h
Air flow rate, Equipped with standard filter mat	1×LK3240.300:155/185m ³ /h		
Axial flow fan	Self starting shaded pole motor		
Rated current	0.24A/0.22A	0.45A/0.42A	0.5A
Power	38/36W	38/36W	12W
Noise level	50/52dB(A)	50/52dB(A)	50dB(A)
Operating temperature range	-30°C ~ +70°C	-30°C ~ +70°C	-30°C ~ +70°C
Outlet filter model	LK3240.300	LK3240.300	LK3240.300
Material	Thermoplastic, UL94 V-0 (optional)		
Air flow direction	Air-in as standard; air-out optional		



Power Supply Work Indicator (optional)

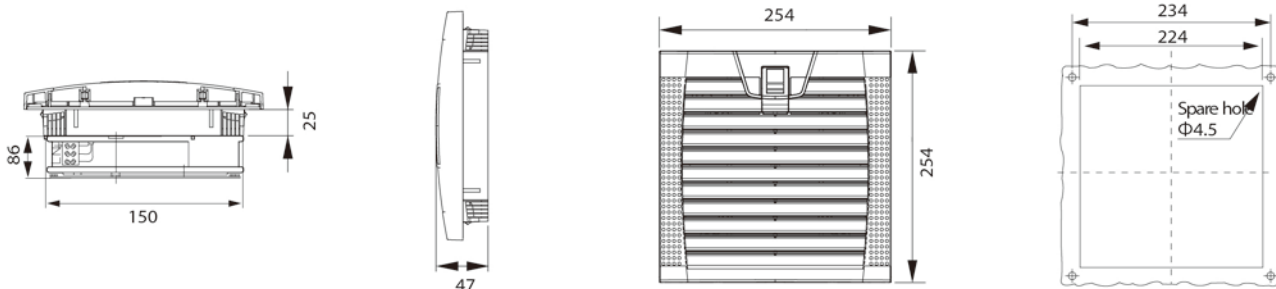


Easy Replacement of Filter Pad



Different Colors Can Be Customized

DIMENSION (mm)



LK3240-M series FAN-AND-FILTER



LK3240-M .230

LK3240 .300



SPECIFICATION

Fan filter model	LK3240-M.230	LK3240-M.115
Rated voltage	200-240V AC	100-125V AC
Rated frequency	50/60Hz	50/60Hz
Air flow rate, free blowing	230/265m ³ /h	230/265m ³ /h
Air flow rate, Equipped with standard filter mat	1×LK3240.300:190/215m ³ /h	
Axial flow fan	Self starting shaded pole motor	
Rated current	0.22A/0.20A	0.45A/0.5A
Power	37/35W	37/35W
Noise level	50/52dB(A)	50/52dB(A)
Operating temperature range	-30°C ~ +70°C	-30°C ~ +70°C
Outlet filter model	LK3240.300	LK3240.300
Material	Thermoplastic, UL94 V-0 (optional)	
Air flow direction	Air-in as standard; air-out optional	



Power Supply Work Indicator (optional)

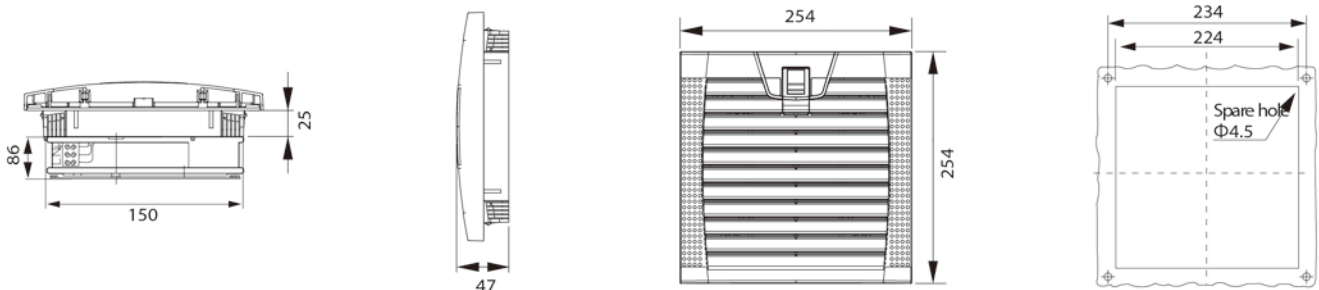


Easy Replacement of Filter Pad



Different Colors Can Be Customized

DIMENSION (mm)





LK3242 .230

LK3242 .300



This position can be equipped with a temperature controller



SPECIFICATION

Fan filter model	LK3242.230	LK3242.115
Rated voltage	200V-240V AC	100-125V AC
Rated frequency	50/60Hz	50/60Hz
Air flow rate, free blowing	550/600m ³ /h	550/600m ³ /h
Air flow rate, Equipped with standard filter mat	1×LK3243.300:380/410m ³ /h	
Axial flow fan	Capacitor operated	
Rated current	0.30A/0.35A	0.55A/0.65A
Power	55/65W	55/65W
Noise level	62/65dB(A)	62/65dB(A)
Operating temperature range	-40°C ~ +80°C	-40°C ~ +80°C
Outlet filter model	LK3243.300	LK3243.300
Material	Thermoplastic, UL94 V-0 (optional)	
Air flow direction	Air-out as standard; air-in optional	



Power Supply Work Indicator (optional)

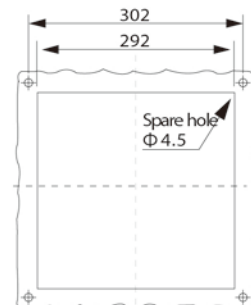
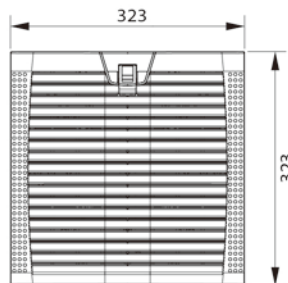
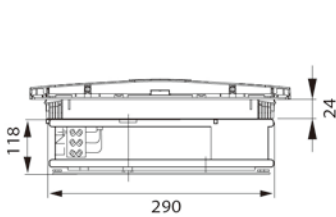


Easy Replacement of Filter Pad



Different Colors Can Be Customized

DIMENSION (mm)



LK3243 series

FAN-AND-FILTER



LK3243 .230

LK3243 .300



This position can be equipped with a temperature controller



IP54

CE

RoHS COMPLIANT

-30 +70 °C

SPECIFICATION

Fan filter model	LK3243.230	LK3243.115
Rated voltage	200-240V AC	100-125V AC
Rated frequency	50/60Hz	50/60Hz
Air flow rate, free blowing	1150/1350m ³ /h	1150/1350m ³ /h
Air flow rate, Equipped with standard filter mat	1×LK3243.300:750/950m ³ /h	
Axial flow fan	Capacitor operated	
Rated current	0.52A/0.65A	1.0A/1.1A
Power	110/120W	110/120W
Noise level	70/72dB(A)	70/72dB(A)
Operating temperature range	-30°C ~ +70°C	-30°C ~ +70°C
Outlet filter model	LK3243.300	LK3243.300
Material	Thermoplastic, UL94 V-0 (optional)	
Air flow direction	Air-out as standard; air-in optional	



Power Supply Work Indicator (optional)

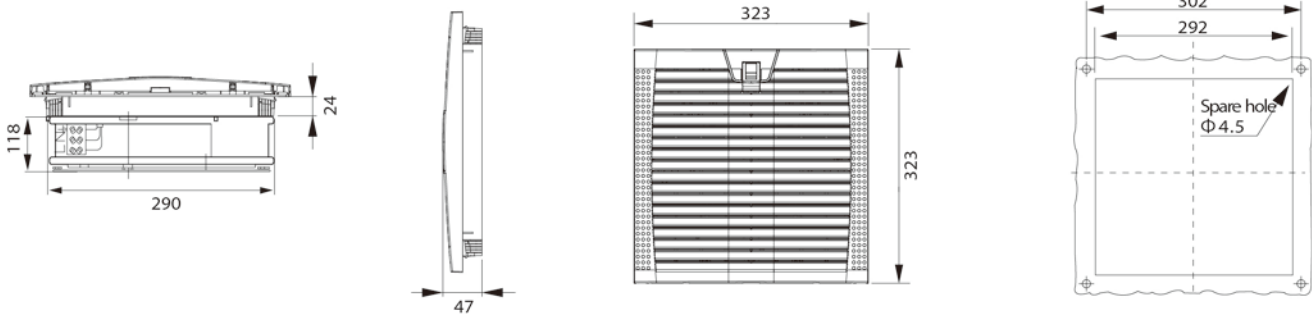


Easy Replacement of Filter Pad



Different Colors Can Be Customized

DIMENSION (mm)





LK3244 .230



LK3243 .300



IP54

CE

RoHS COMPLIANT

-30 +70 °C

SPECIFICATION

Fan filter model	LK3244.230	LK3244.115
Rated voltage	200-240V AC	100-125V AC
Rated frequency	50/60Hz	50/60Hz
Air flow rate, free blowing	550/600m ³ /h	550/600m ³ /h
Air flow rate, Equipped with standard filter mat	1×LK3243.300:380/410m ³ /h	
Axial flow fan	Capacitor operated	
Rated current	0.30A/0.35A	0.55/0.65A
Power	55/65W	55/65W
Noise level	59/61dB(A)	59/61dB(A)
Operating temperature range	-30°C ~ +70°C	-30°C ~ +70°C
Outlet filter model	LK3243.300	LK3243.300
Material	Thermoplastic, UL94 V-0 (optional)	
Air flow direction	Air-in as standard; air-out optional	



Power Supply Work Indicator (optional)

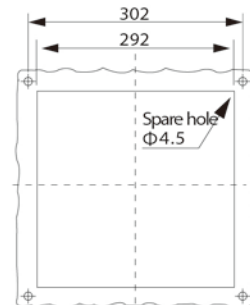
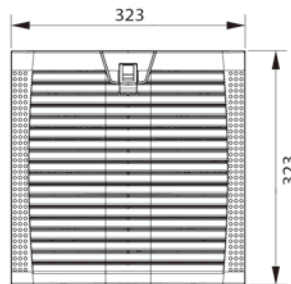
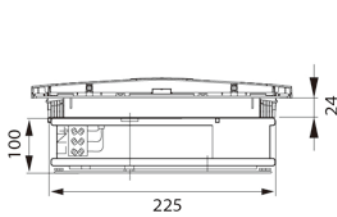


Easy Replacement of Filter Pad



Different Colors Can Be Customized

DIMENSION (mm)





LK3245 .230

LK3243 .300



IP54

CE

RoHS COMPLIANT

-30 +70 °C

SPECIFICATION

Fan filter model	LK3245.230	LK3245.115
Rated voltage	200-240V AC	100-125V AC
Rated frequency	50/60Hz	50/60Hz
Air flow rate, free blowing	1150/1350m ³ /h	1150/1350m ³ /h
Air flow rate, Equipped with standard filter mat	1×LK3243.300:790/950m ³ /h	
Axial flow fan	Capacitor operated	
Rated current	0.55A/0.65A	1.0/1.1A
Power	110/150W	110/150W
Noise level	68/71dB(A)	68/71dB(A)
Operating temperature range	-30°C ~ +70°C	-30°C ~ +70°C
Outlet filter model	LK3243.300	LK3243.300
Material	Thermoplastic, UL94 V-0 (optional)	
Air flow direction	Air-in as standard; air-out optional	



Power Supply Work Indicator (optional)

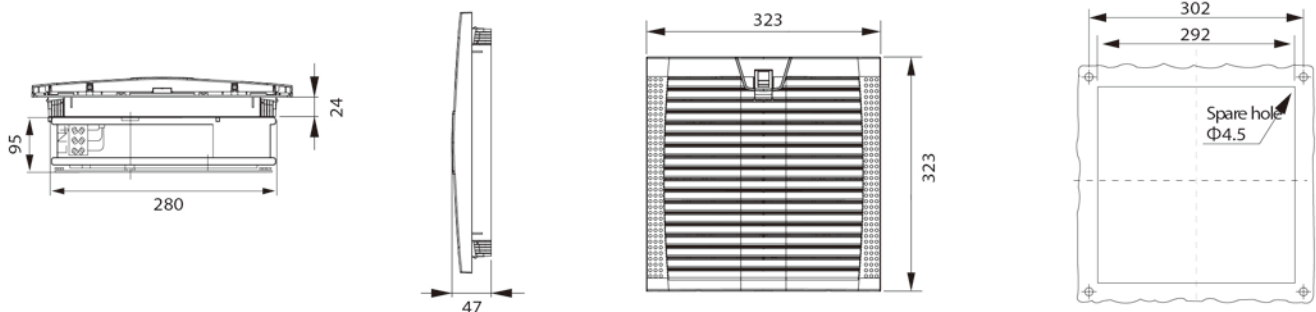


Easy Replacement of Filter Pad



Different Colors Can Be Customized

DIMENSION (mm)



LK6621 .230

LK6621 .300



SPECIFICATION

Fan filter model	LK6621.230	LK6621.115	LK6621.024
Rated voltage	200-240V AC	100-125V AC	24V DC
Rated frequency	50/60 Hz	50/60 Hz	—
Air flow rate, free blowing	25/35 m ³ /h	25/35 m ³ /h	35 m ³ /h
Air flow rate, Equipped with standard filter mat	1×LK6621.300:20/25 m ³ /h		
Axial flow fan	Self starting shaded pole motor		
Rated current	0.07A/0.06A	0.12A/0.11A	0.08A
Power	12/11W	12/11W	1.92W
Noise level	37/41dB(A)	37/41dB(A)	41dB(A)
Operating temperature range	-30°C ~ +70°C	-30°C ~ +70°C	-30°C ~ +70°C
Outlet filter model	LK6621.300	LK6621.300	LK6621.300
Material	Thermoplastic, UL94 V-0 (optional)		
Air flow direction	Air-in as standard; air-out optional		



Straight Line Grill Design

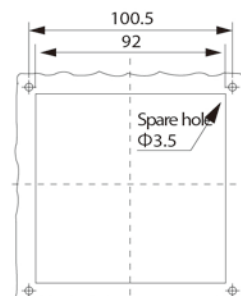
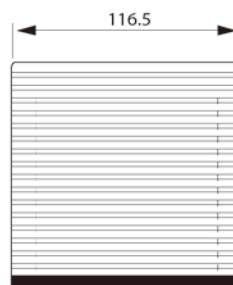
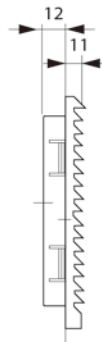
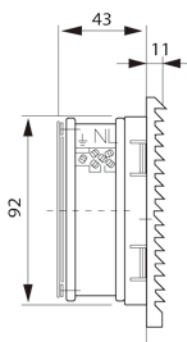


Thinner Cover



Premium Sealing Gasket

DIMENSION (mm)



LK6622 series

FAN-AND-FILTER



LK6622 .230

LK6622 .300



IP54

CE

RoHS
COMPLIANT

-30 +70
°C

SPECIFICATION

Fan filter model	LK6622.230	LK6622.115	LK6622.024
Rated voltage	200-240V AC	100-125V AC	24V DC
Rated frequency	50/60 Hz	50/60 Hz	—
Air flow rate, free blowing	65/85 m ³ /h	65/85 m ³ /h	100 m ³ /h
Air flow rate, Equipped with standard filter mat	1×LK6622.300:55/70 m ³ /h		
Axial flow fan	Self starting shaded pole motor		
Rated current	0.12A/0.11A	0.24A/0.22A	0.20A
Power	19/18W	19/18W	4.8W
Noise level	41/42dB(A)	41/42dB(A)	41dB(A)
Operating temperature range	-30°C ~ +70°C	-30°C ~ +70°C	-30°C ~ +70°C
Outlet filter model	LK6622.300	LK6622.300	LK6622.300
Material	Thermoplastic, UL94 V-0 (optional)		
Air flow direction	Air-in as standard; air-out optional		



Straight Line Grill Design

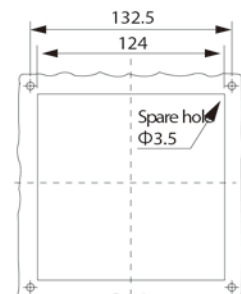
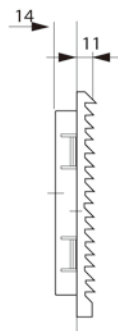
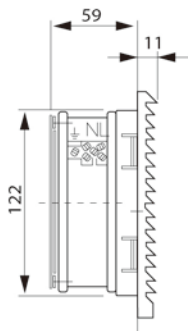


Thinner Cover



Premium Sealing Gasket

DIMENSION (mm)





LK6623 .230

LK6623 .300



IP54

CE

RoHS COMPLIANT

-30 +70

SPECIFICATION

Fan filter model	LK6623.230	LK6623.115	LK6623.024
Rated voltage	200-240V AC	100-125V AC	24V DC
Rated frequency	50/60Hz	50/60Hz	—
Air flow rate, free blowing	105/126m ³ /h	105/126m ³ /h	126m ³ /h
Air flow rate, Equipped with standard filter mat	1×LK6623.300:78/90m ³ /h		
Axial flow fan	Self starting shaded pole motor		
Rated current	0.12A/0.11A	0.24A/0.22A	0.20A
Power	19/18W	19/18W	4.8W
Noise level	41/42dB(A)	41/42dB(A)	41dB(A)
Operating temperature range	-30°C ~ +70°C	-30°C ~ +70°C	-30°C ~ +70°C
Outlet filter model	LK6623.300	LK6623.300	LK6623.300
Material	Thermoplastic, UL94 V-0 (optional)		
Air flow direction	Air-in as standard; air-out optional		



Straight Line Grill Design

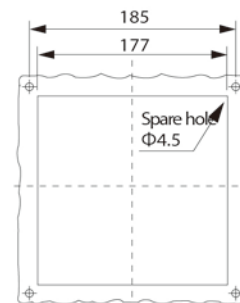
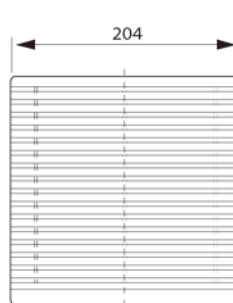
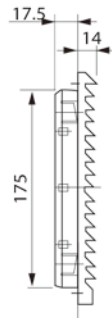
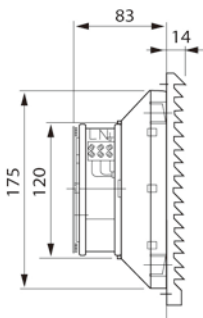


Thinner Cover



Premium Sealing Gasket

DIMENSION (mm)



LK6624.230

LK6624.300



IP54

CE

RoHS
COMPLIANT

-30 +70
°C

SPECIFICATION

Fan filter model	LK6624.230	LK6624.115	LK6624.024
Rated voltage	200V-240V AC	100-125V AC	24V DC
Rated frequency	50/60Hz	50/60Hz	—
Air flow rate, free blowing	220/240m ³ /h	220/240m ³ /h	300m ³ /h
Air flow rate, Equipped with standard filter mat	1×LK6624.300:155/185m ³ /h		
Axial flow fan	Self starting shaded pole motor		
Rated current	0.24A/0.22A	0.45A/0.42A	0.80A
Power	38/36W	38/36W	19.2W
Noise level	50/52dB(A)	50/52dB(A)	50dB(A)
Operating temperature range	-30°C ~ +70°C	-30°C ~ +70°C	-30°C ~ +70°C
Outlet filter model	LK6624.300	LK6624.300	LK6624.300
Material	Thermoplastic, UL94 V-0 (optional)		
Air flow direction	Air-in as standard; air-out optional		



Straight Line Grill Design

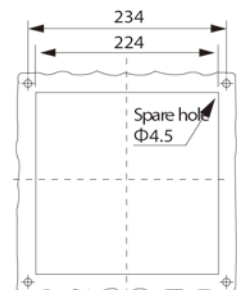
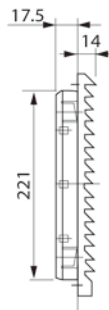
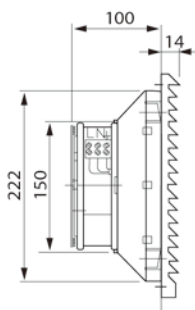


Thinner Cover



Premium Sealing Gasket

DIMENSION (mm)





LK6625 .230

LK6625 .300



IP54

CE

RoHS COMPLIANT

-30 +70

SPECIFICATION

Fan filter model	LK6625.230	LK6625.115
Rated voltage	200V-240V AC	100-125V AC
Rated frequency	50/60Hz	50/60Hz
Air flow rate, free blowing	230/265m ³ /h	230/265m ³ /h
Air flow rate, Equipped with standard filter mat	1×LK6625.300:190/215m ³ /h	
Axial flow fan	Capacitor operated	
Rated current	0.22A/0.20A	0.45A/0.50A
Power	37/35W	37/35W
Noise level	50/52dB(A)	50/52dB(A)
Operating temperature range	-30°C ~ +70°C	-30°C ~ +70°C
Outlet filter model	LK6625.300	LK6625.300
Material	Thermoplastic, UL94 V-0 (optional)	
Air flow direction	Air-in as standard; air-out optional	



Straight Line Grill Design

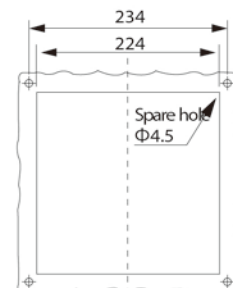
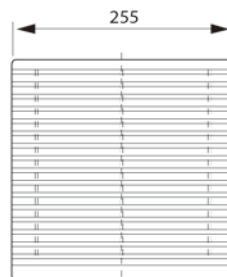
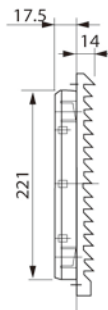
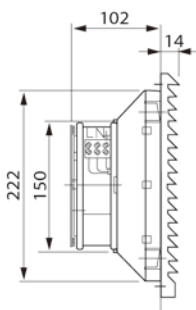


Thinner Cover



Premium Sealing Gasket

DIMENSION (mm)



LK6625-D series FAN-AND-FILTER



LK6625-D.230

LK6624.300



SPECIFICATION

Fan filter model	LK6625-D.230	LK6625-D.115
Rated voltage	200V-240V AC	100-125V AC
Rated frequency	50/60Hz	50/60Hz
Air flow rate, free blowing	330/370m ³ /h	330/370m ³ /h
Air flow rate, Equipped with standard filter mat	1×LK6625.300:230/260m ³ /h	
Axial flow fan	Capacitor operated	
Rated current	0.35A/0.32A	0.54A/0.52A
Power	42/40W	42/40W
Noise level	60dB(A)	60dB(A)
Operating temperature range	-30°C ~ +70°C	-30°C ~ +70°C
Outlet filter model	LK6625.300	LK6625.300
Material	Thermoplastic, UL94 V-0 (optional)	
Air flow direction	Air-in as standard; air-out optional	



Straight Line Grill Design

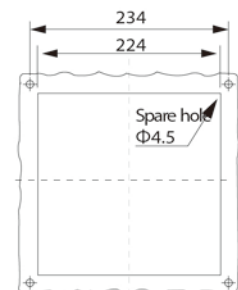
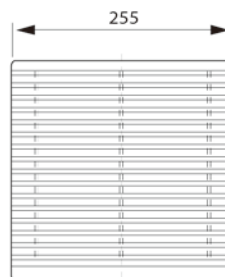
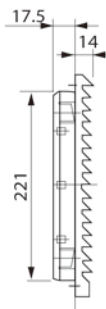
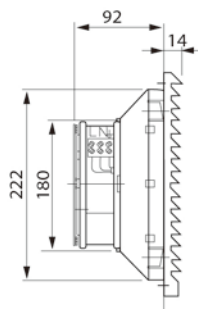


Thinner Cover



Premium Sealing Gasket

DIMENSION (mm)





LK6625-E.230

LK6625.300



SPECIFICATION

Fan filter model	LK6625-E.230	LK6625-E.115
Rated voltage	200V-240V AC	100-125V AC
Rated frequency	50/60Hz	50/60Hz
Air flow rate, free blowing	420/430m ³ /h	420/430m ³ /h
Air flow rate, Equipped with standard filter mat	1×LK6625.300:295/300m ³ /h	
Axial flow fan	Capacitor operated	
Rated current	0.35A/0.32A	0.60A/0.58A
Power	45/42W	45/42W
Noise level	60dB(A)	60dB(A)
Operating temperature range	-30°C ~ +70°C	-30°C ~ +70°C
Outlet filter model	LK6625.300	LK6625.300
Material	Thermoplastic, UL94 V-0 (optional)	
Air flow direction	Air-in as standard; air-out optional	



Straight Line Grill Design

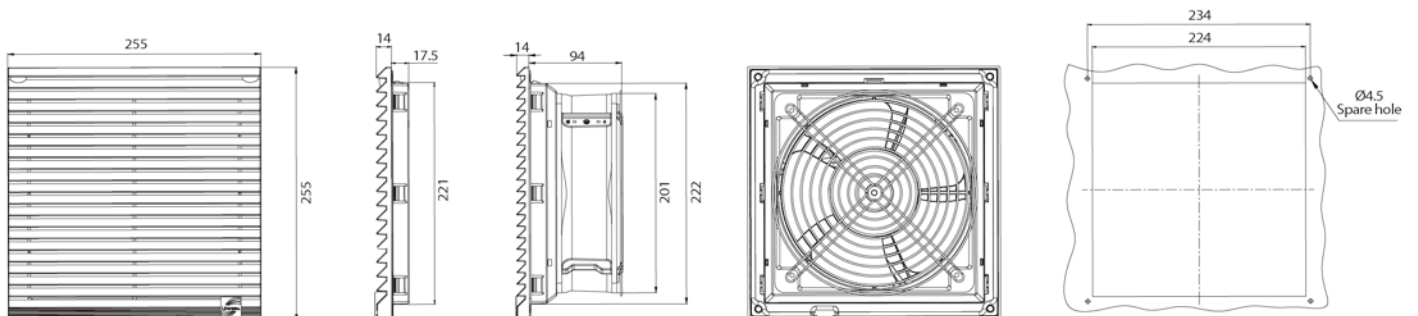


Thinner Cover



Premium Sealing Gasket

DIMENSION (mm)





LK6625-F.230

LK6625.300



IP54

CE

RoHS
COMPLIANT

-30 +70
°C

SPECIFICATION

Fan filter model	LK6625-F.230	LK6625-F.115
Rated voltage	200V-240V AC	100-125V AC
Rated frequency	50/60Hz	50/60Hz
Air flow rate, free blowing	700/750m ³ /h	700/750m ³ /h
Air flow rate, Equipped with standard filter mat	1×LK6625.300:490/525m ³ /h	
Axial flow fan	Capacitor operated	
Rated current	0.30A/0.35A	0.60A/0.70A
Power	60/80W	60/80W
Noise level	60dB(A)	60dB(A)
Operating temperature range	-30°C ~ +70°C	-30°C ~ +70°C
Outlet filter model	LK6625.300	LK6625.300
Material	Thermoplastic, UL94 V-0 (optional)	
Air flow direction	Air-in as standard; air-out optional	



Straight Line Grill Design

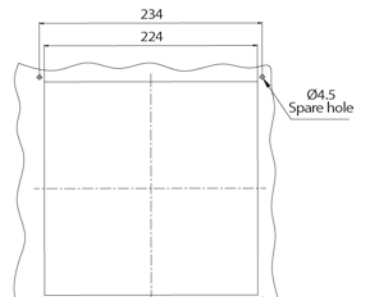
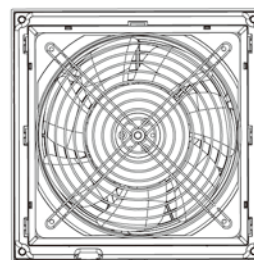
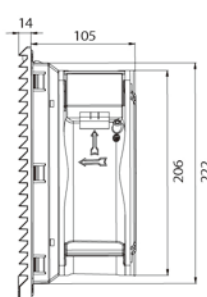
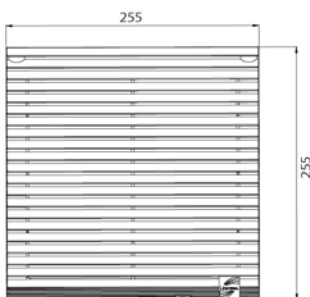


Thinner Cover



Premium Sealing Gasket

DIMENSION (mm)





LK6626 .230

LK6626 .300



IP54

CE

RoHS
COMPLIANT

-30 +70
°C

SPECIFICATION

Fan filter model	LK6626.230	LK6626.115
Rated voltage	200V-240V AC	100-125V AC
Rated frequency	50/60Hz	50/60Hz
Air flow rate, free blowing	550/600m ³ /h	550/600m ³ /h
Air flow rate, Equipped with standard filter mat	1×LK6626.300:380/410m ³ /h	
Axial flow fan	Capacitor operated	
Rated current	0.30A/0.35A	0.55A/0.65A
Power	55/65W	55/65W
Noise level	62/65dB(A)	62/65dB(A)
Operating temperature range	-30°C ~ +70°C	-30°C ~ +70°C
Outlet filter model	LK6626.300	LK6626.300
Material	Thermoplastic, UL94 V-0 (optional)	
Air flow direction	Air-in as standard; air-out optional	



Straight Line Grill Design

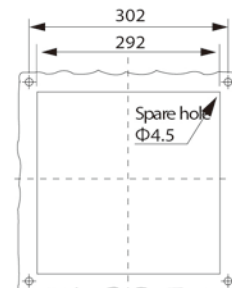
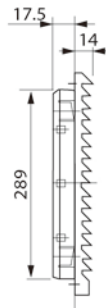
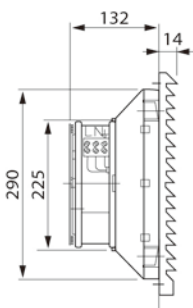


Thinner Cover



Premium Sealing Gasket

DIMENSION (mm)





LK6627.230

LK6626.300



IP54

CE

RoHS
COMPLIANT

-30 +70
°C

SPECIFICATION

Fan filter model	LK6627.230	LK6627.115
Rated voltage	200V-240V AC	100-125V AC
Rated frequency	50/60Hz	50/60Hz
Air flow rate, free blowing	1150/1350m ³ /h	1150/1350m ³ /h
Air flow rate, Equipped with standard filter mat	1×LK6626.300:750/950m ³ /h	
Axial flow fan	Capacitor operated	
Rated current	0.55/0.65A	1.0/1.1A
Power	110/150W	110/150W
Noise level	68/71dB(A)	68/71dB(A)
Operating temperature range	-30°C ~ +70°C	-30°C ~ +70°C
Outlet filter model	LK6626.300	LK6626.300
Material	Thermoplastic, UL94 V-0 (optional)	
Air flow direction	Air-in as standard; air-out optional	



Straight Line Grill Design

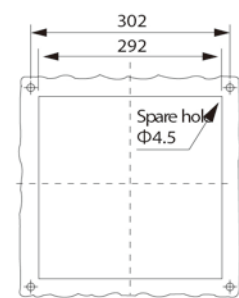
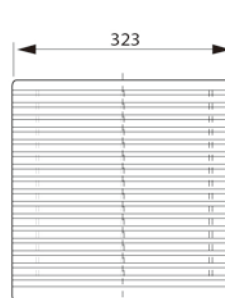
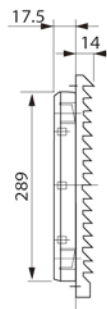
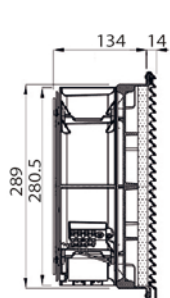


Thinner Cover



Premium Sealing Gasket

DIMENSION (mm)



FF109.230

EF109



SPECIFICATION

Fan filter model	FF109.230	FF109.115	FF109.024
Rated voltage	200V-240V AC	100-125V AC	24V DC
Rated frequency	50/60Hz	50/60Hz	—
Air flow rate, free blowing	28/38m ³ /h	28/38m ³ /h	38m ³ /h
Air flow rate, Equipped with standard filter mat	1×EF109:22/28m ³ /h		
Axial flow fan	Self starting shaded pole motor		
Rated current	0.09/0.08A	0.16/0.14A	0.85A
Power	13/12W	13/12W	2.04W
Noise level	28/32dB(A)	28/32dB(A)	36dB(A)
Operating temperature range	-40°C ~ +80°C	-40°C ~ +80°C	-40°C ~ +80°C
Outlet filter model	EF109	EF109	EF109
Material	PC alloy plastic, material meets UL94 V-0		
Air flow direction	Air-in as standard; air-out optional		



Straight Design

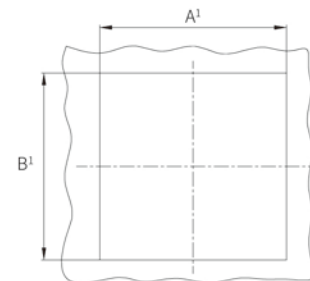
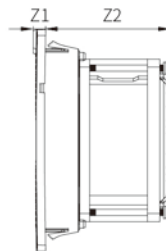
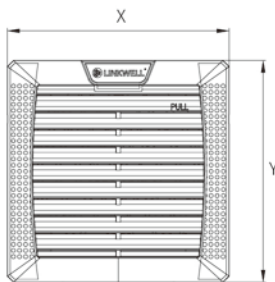


Easy Replacement of Filter Pad



Premium Sealing Gasket

DIMENSION (mm)



mm		X	Y	Z1	Z2	A ¹	B ¹
FF109	AC	109	109	4	62	92	92
	DC	109	109	4	62	92	92
EF109		109	109	4	62	92	92

Suitable for cabinet wall thickness not exceeding 2mm. When 2mm < material thickness ≤ 3mm, the opening size should be increased by 1mm



FF145 .230

EF145



SPECIFICATION

Fan filter model	FF145.230	FF145.115	FF145.024
Rated voltage	200V-240V AC	100-125V AC	24V DC
Rated frequency	50/60Hz	50/60Hz	—
Air flow rate, free blowing	65/85m ³ /h	65/85m ³ /h	100m ³ /h
Air flow rate, Equipped with standard filter mat	1×EF145:55/70m ³ /h		
Axial flow fan	Self starting shaded pole motor		
Rated current	0.12A/0.11A	0.24A/0.22A	0.20A
Power	19/18W	19/18W	4.8W
Noise level	41/42dB(A)	41/42dB(A)	41dB(A)
Operating temperature range	-40°C ~ +80°C	-40°C ~ +80°C	-40°C ~ +80°C
Outlet filter model	EF145	EF145	EF145
Material	PC alloy plastic, material meets UL94 V-0		
Air flow direction	Air-in as standard;air-out optional		



Straight Design

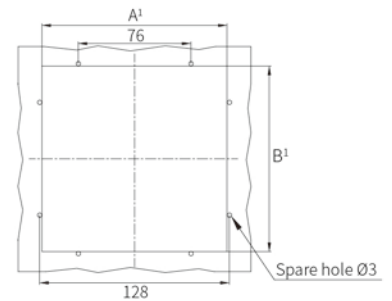
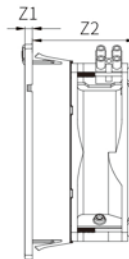
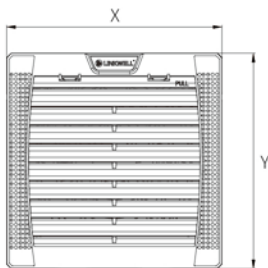


Easy Replacement of Filter Pad



Premium Sealing Gasket

DIMENSION (mm)



mm		X	Y	Z1	Z2	A ¹	B ¹
FF145	AC	145	145	5	70	125	125
	DC	145	145	5	70	125	125
EF145		145	145	5	70	125	125

Suitable for cabinet wall thickness not exceeding 2mm. When 2mm < material thickness ≤ 3mm, the opening size should be increased by 1mm

FF202 .230

EF202



SPECIFICATION

Fan filter model	FF202.230	FF202.115	FF202.024
Rated voltage	200V-240V AC	100-125V AC	24V DC
Rated frequency	50/60 Hz	50/60 Hz	—
Air flow rate, free blowing	105/126m ³ /h	105/126m ³ /h	126m ³ /h
Air flow rate, Equipped with standard filter mat	1×EF202:78/90m ³ /h		
Axial flow fan	Self starting shaded pole motor		
Rated current	0.12A/0.11A	0.24A/0.22A	0.20A
Power	19/18W	19/18W	4.8W
Noise level	41/42dB(A)	41/42dB(A)	41dB(A)
Operating temperature range	-40°C ~ +80°C	-40°C ~ +80°C	-40°C ~ +80°C
Outlet filter model	EF202	EF202	EF202
Material	PC alloy plastic, material meets UL94 V-0		
Air flow direction	Air-in as standard; air-out optional		



Straight Design

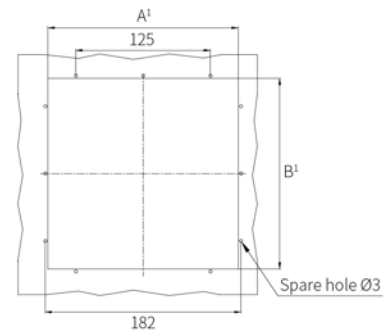
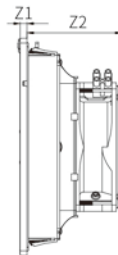
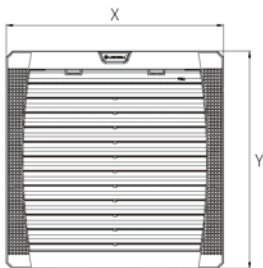


Easy Replacement of Filter Pad



Premium Sealing Gasket

DIMENSION (mm)



mm		X	Y	Z1	Z2	A ¹	B ¹
FF202	AC	202	202	6.5	87	177	177
	DC	202	202	6.5	87	177	177
EF202		202	202	6.5	87	177	177

Suitable for cabinet wall thickness not exceeding 2mm. When 2mm < material thickness ≤ 3mm, the opening size should be increased by 1mm

FF252-P .230

EF252



SPECIFICATION

Fan filter model	FF252-P.230	FF252-P.115	FF252-P.024
Rated voltage	200V-240V AC	100-125V AC	24V DC
Rated frequency	50/60Hz	50/60Hz	—
Air flow rate, free blowing	220/240m ³ /h	220/240m ³ /h	300m ³ /h
Air flow rate, Equipped with standard filter mat	1×EF252:155/185m ³ /h		
Axial flow fan	Self starting shaded pole motor		
Rated current	0.24A/0.22A	0.45A/0.42A	0.50A
Power	38/36W	38/36W	12W
Noise level	50/52dB(A)	50/52dB(A)	50dB(A)
Operating temperature range	-40°C ~ +80°C	-40°C ~ +80°C	-40°C ~ +80°C
Outlet filter model	EF252	EF252	EF252
Material	PC alloy plastic, material meets UL94 V-0		
Air flow direction	Air-in as standard; air-out optional		



Straight Design

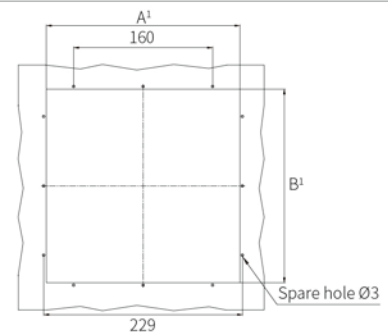
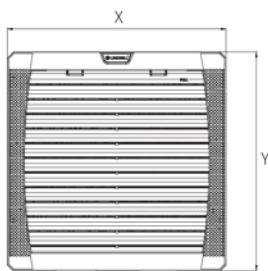


Easy Replacement of Filter Pad



Premium Sealing Gasket

DIMENSION (mm)



mm		X	Y	Z1	Z2	A'	B'
FF252-P	AC	252	252	6.5	111	223	223
	DC	252	252	6.5	111	223	223
EF252		252	252	6.5	33	223	223

Suitable for cabinet wall thickness not exceeding 2mm. When 2mm < material thickness ≤ 3mm, the opening size should be increased by 1mm



FF252-M .230

EF252



SPECIFICATION

Fan filter model	FF252-M.230	FF252-M.115
Rated voltage	200V-240V AC	100-125V AC
Rated frequency	50/60Hz	50/60Hz
Air flow rate, free blowing	230/265m ³ /h	230/265m ³ /h
Air flow rate, Equipped with standard filter mat	1×EF252:190/215m ³ /h	
Axial flow fan	Capacitor operated	
Rated current	0.22A/0.20A	0.45A/0.50A
Power	37/35W	37/35W
Noise level	50/52dB(A)	50/52dB(A)
Operating temperature range	-40°C ~ +80°C	-40°C ~ +80°C
Outlet filter model	EF252	EF252
Material	PC alloy plastic, material meets UL94 V-0	
Air flow direction	Air-in as standard; air-out optional	



Straight Design

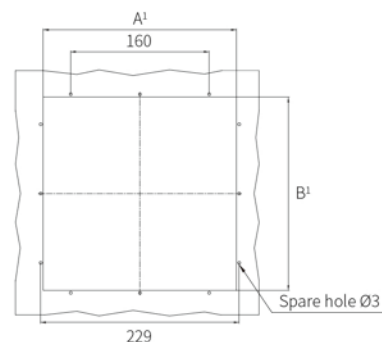
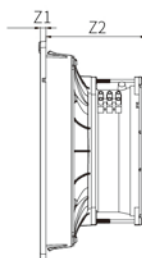
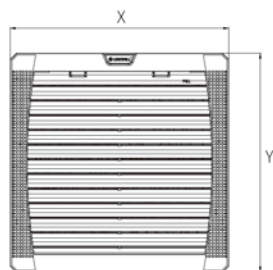


Easy Replacement of Filter Pad



Premium Sealing Gasket

DIMENSION (mm)



mm	X	Y	Z1	Z2	A ¹	B ¹
FF252-M	252	252	6.5	114	223	223
EF252	252	252	6.5	33	223	223

Suitable for cabinet wall thickness not exceeding 2mm. When 2mm < material thickness ≤ 3mm, the opening size should be increased by 1mm



FF320 .230

EF320



This position can be equipped with a temperature controller



IP54

CE

RoHS COMPLIANT

UL94 V-0

-40 +80 °C

SPECIFICATION

Fan filter model	FF320.230	FF320.115
Rated voltage	200V-240V AC	100-125V AC
Rated frequency	50/60Hz	50/60Hz
Air flow rate, free blowing	550/600m ³ /h	550/600m ³ /h
Air flow rate, Equipped with standard filter mat	1×EF320:380/410m ³ /h	
Axial flow fan	Capacitor operated	
Rated current	0.30A/0.55A	0.55A/0.65A
Power	55/65W	55/65W
Noise level	62/65dB(A)	62/65dB(A)
Operating temperature range	-40°C ~ +80°C	-40°C ~ +80°C
Outlet filter model	EF320	EF320
Material	PC alloy plastic, material meets UL94 V-0	
Air flow direction	Air-out as standard; air-in optional	



Straight Design

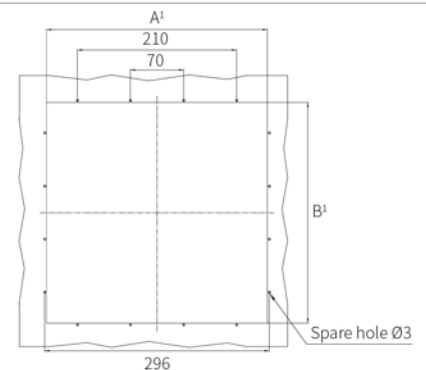
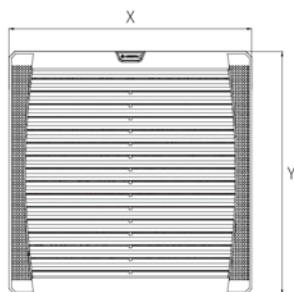


Easy Replacement of Filter Pad



Premium Sealing Gasket

DIMENSION (mm)



mm	X	Y	Z1	Z2	A ¹	B ¹
FF320	320	320	7	162	291	291
EF320	320	320	7	36	291	291

Suitable for cabinet wall thickness not exceeding 2mm. When 2mm < material thickness ≤ 3mm, the opening size should be increased by 1mm



FF320-D.230

EF320



This position can be equipped with a temperature controller



SPECIFICATION

Fan filter model	FF320-D.230	FF320-D.115
Rated voltage	200V-240V AC	100-125V AC
Rated frequency	50/60Hz	50/60Hz
Air flow rate, free blowing	1150/1350m ³ /h	1150/1350m ³ /h
Air flow rate, Equipped with standard filter mat	1×EF320:750/950m ³ /h	
Axial flow fan	Capacitor operated	
Rated current	0.55A/0.65A	1.0A/1.1A
Power	110/150W	110/150W
Noise level	68/71dB(A)	68/71dB(A)
Operating temperature range	-40°C ~ +80°C	-40°C ~ +80°C
Outlet filter model	EF320	EF320
Material	PC alloy plastic, material meets UL94 V-0	
Air flow direction	Air-out as standard; air-in optional	



Straight Design

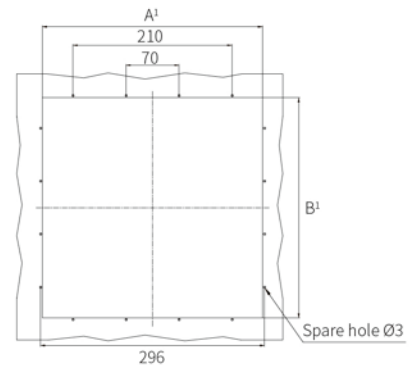
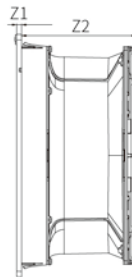
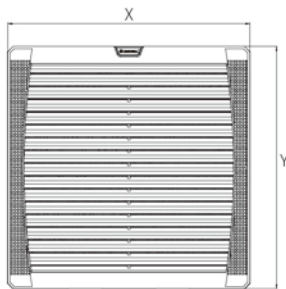


Easy Replacement of Filter Pad



Premium Sealing Gasket

DIMENSION (mm)



mm	X	Y	Z1	Z2	A ¹	B ¹
FF320-D	320	320	7	162	291	291
EF320	320	320	7	36	291	291

Suitable for cabinet wall thickness not exceeding 2mm. When 2mm < material thickness ≤ 3mm, the opening size should be increased by 1mm



FF5000 .230

EF320



SPECIFICATION

Fan filter model	FF5000.230	FF5000.115
Rated voltage	200V-240V AC	100-125V AC
Rated frequency	50/60Hz	50/60Hz
Air flow rate, free blowing	550/600m ³ /h	550/600m ³ /h
Air flow rate, Equipped with standard filter mat	1×EF320:380/410m ³ /h	
Axial flow fan	Capacitor operated	
Rated current	0.30A/0.35A	0.55A/0.65A
Power	55/65W	55/65W
Noise level	62/65dB(A)	62/65dB(A)
Operating temperature range	-40°C ~ +80°C	-40°C ~ +80°C
Outlet filter model	EF320	EF320
Material	PC alloy plastic, material meets UL94 V-0	
Air flow direction	Air-in as standard; air-out optional	



Straight Design

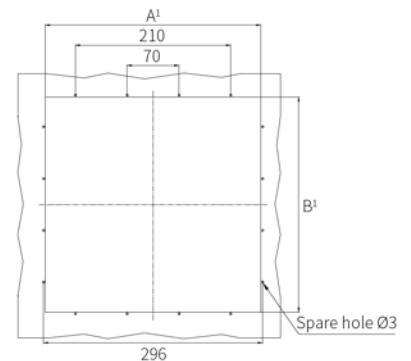
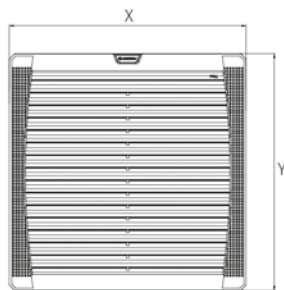


Easy Replacement of Filter Pad



Premium Sealing Gasket

DIMENSION (mm)



mm	X	Y	Z1	Z2	A'	B'
FF5000	320	320	7	125	291	291
EF320	320	320	7	36	291	291

Suitable for cabinet wall thickness not exceeding 2mm. When 2mm < material thickness ≤ 3mm, the opening size should be increased by 1mm



FF7000 .230

EF320



SPECIFICATION

Fan filter model	FF7000.230	FF7000.115
Rated voltage	200V-240V AC	100-125V AC
Rated frequency	50/60Hz	50/60Hz
Air flow rate, free blowing	1150/1350m ³ /h	1150/1350m ³ /h
Air flow rate, Equipped with standard filter mat	1×EF320:750/950m ³ /h	
Axial flow fan	Capacitor operated	
Rated current	0.55A/0.65A	1.0A/1.1A
Power	110/150W	110/150W
Noise level	68/71dB(A)	68/71dB(A)
Operating temperature range	-40°C ~ +80°C	-40°C ~ +80°C
Outlet filter model	EF320	EF320
Material	PC alloy plastic, material meets UL94 V-0	
Air flow direction	Air-in as standard; air-out optional	



Straight Design

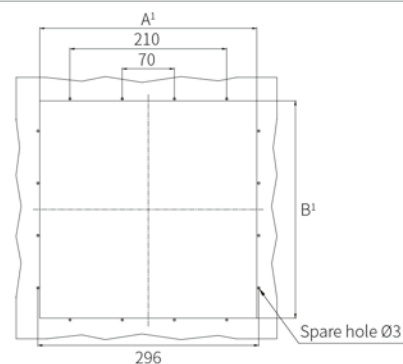
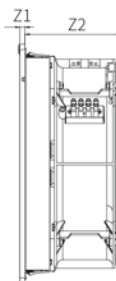
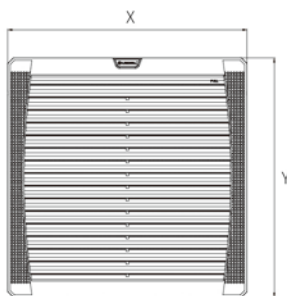


Easy Replacement of Filter Pad



Premium Sealing Gasket

DIMENSION (mm)



mm	X	Y	Z1	Z2	A ¹	B ¹
FF7000	320	320	7	127	291	291
EF320	320	320	7	36	291	291

Suitable for cabinet wall thickness not exceeding 2mm. When 2mm < material thickness ≤ 3mm, the opening size should be increased by 1mm



FF130 .230

EF130



SPECIFICATION

Fan filter model	FF130.230	FF130.115	FF130.024
Rated voltage	200V-240V AC	100-125V AC	24V DC
Rated frequency	50/60Hz	50/60Hz	—
Air flow rate, free blowing	80/110m ³ /h	80/110m ³ /h	110m ³ /h
Air flow rate, Equipped with standard filter mat	1×EF130:60/72m ³ /h		
Axial flow fan	Self starting shaded pole motor		
Rated current	0.27A/0.24A	0.48A/0.42A	0.26A
Power	39/36W	39/36W	6.12W
Noise level	35/38dB(A)	35/38dB(A)	38dB(A)
Operating temperature range	-40°C ~ +80°C	-40°C ~ +80°C	-40°C ~ +80°C
Outlet filter model	EF130	EF130	EF130
Material	PC alloy plastic, material meets UL94 V-0		
Air flow direction	Air-in as standard; air-out optional		



Straight Design

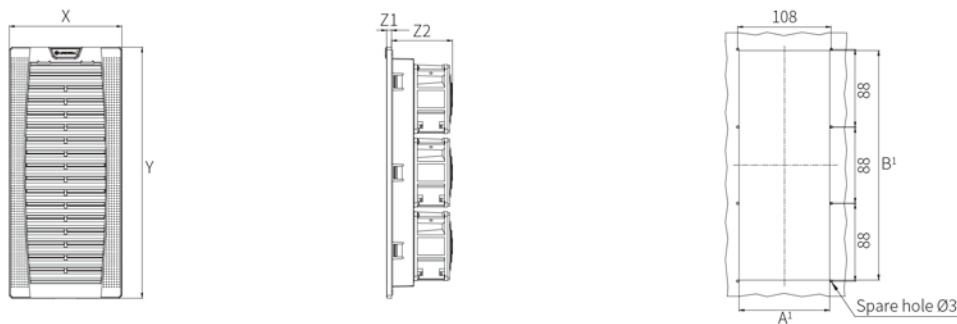


Easy Replacement of Filter Pad



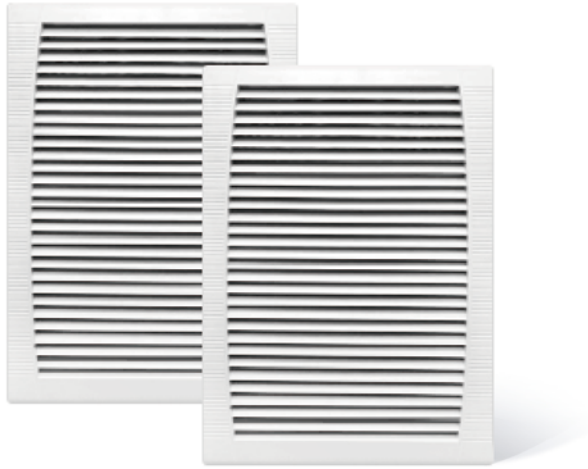
Premium Sealing Gasket

DIMENSION (mm)



mm		X	Y	Z1	Z2	A ¹	B ¹
FF130	AC	130	290	5	74	105	265
	DC	130	290	5	74	105	265
EF130		130	290	5	74	105	265

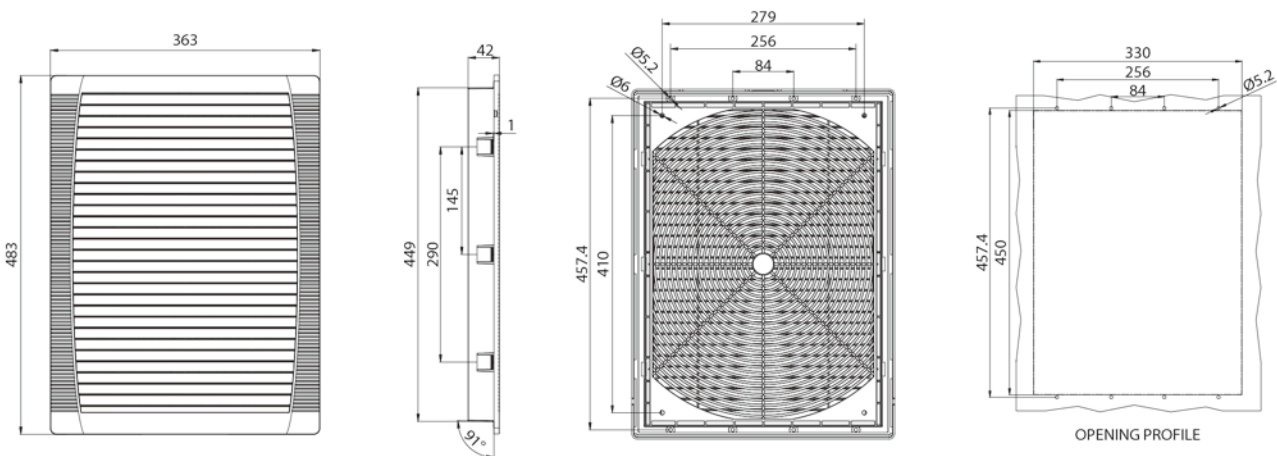
Suitable for cabinet wall thickness not exceeding 2mm. When 2mm < material thickness ≤ 3mm, the opening size should be increased by 1mm



SPECIFICATION

Model	EF363
Dimension	363*483*42mm
Operating temperature	-20°C ~ +60°C
Combination weight	~
Single weight	1.1kg
Dust removal rate	87%
Colour	RAL7035
Available fan	~
Grade of filter cotton	G4
IP code	IP54
Certificate	CE, EMC, ROHS

DIMENSION (mm)



FK5521 .230

FK5521 .300



SPECIFICATION

Fan filter model	FK5521.230	FK5521.115	FK5521.024
Rated voltage	200V-240V AC	100-125V AC	24V DC
Rated frequency	50/60Hz	50/60Hz	—
Air flow rate, free blowing	28/38m ³ /h	28/38m ³ /h	38m ³ /h
Air flow rate, Equipped with standard filter mat	1×FK5521.300:22/28m ³ /h		
Axial flow fan	Self starting shaded pole motor		
Rated current	0.09A/0.08A	0.16A/0.14A	0.085A
Power	13/12W	13/12W	2.04W
Noise level	28/32dB(A)	28/32dB(A)	36dB(A)
Operating temperature range	-30°C ~ +70°C	-30°C ~ +70°C	-30°C ~ +70°C
Outlet filter model	FK5521.300	FK5521.300	FK5521.300
Material	Thermoplastic, UL94 V-0 (optional)		
Air flow direction	Air-in as standard; air-out optional		



Curve Line Grill Design

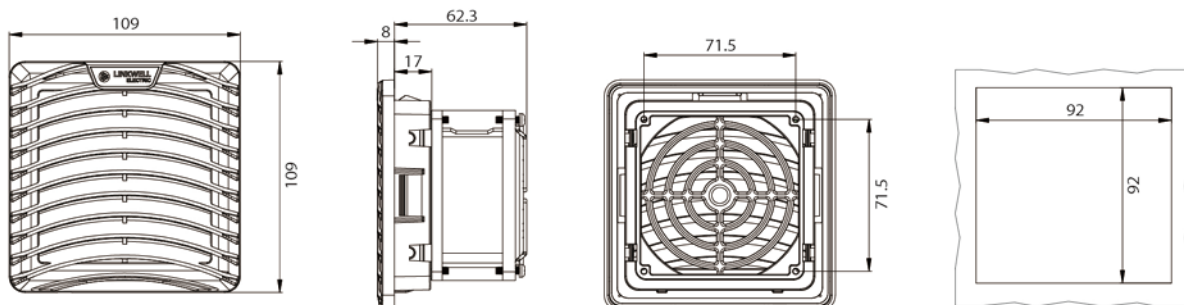


Premium Sealing Gasket



High Quality Filter Cotton

DIMENSION (mm)



FK5522 .230

FK5522 .300



SPECIFICATION

Fan filter model	FK5522.230	FK5522.115	FK5522.024
Rated voltage	200V-240V AC	100-125V AC	24V DC
Rated frequency	50/60Hz	50/60Hz	—
Air flow rate, free blowing	65/85m ³ /h	65/85m ³ /h	100m ³ /h
Air flow rate, Equipped with standard filter mat	1×FK5522.300:55/70m ³ /h		
Axial flow fan	Self starting shaded pole motor		
Rated current	0.12A/0.11A	0.24A/0.22A	0.20A
Power	19/18W	19/18W	4.8W
Noise level	41/42dB(A)	41/42dB(A)	41dB(A)
Operating temperature range	-30°C ~ +70°C	-30°C ~ +70°C	-30°C ~ +70°C
Outlet filter model	FK5522.300	FK5522.300	FK5522.300
Material	Thermoplastic, UL94 V-0 (optional)		
Air flow direction	Air-in as standard; air-out optional		



Curve Line Grill Design

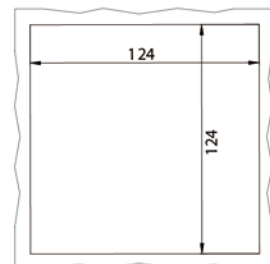
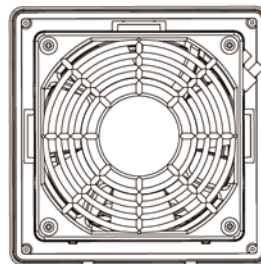
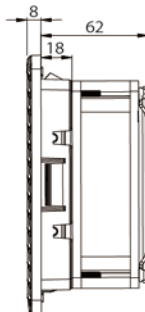
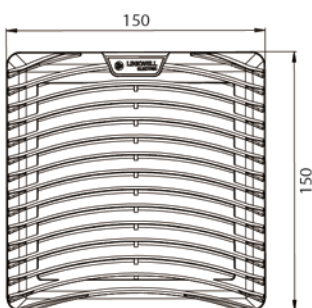


Premium Sealing Gasket



High Quality Filter Cotton

DIMENSION (mm)



FK5523 .230

FK5523 .300



SPECIFICATION

Fan filter model	FK5523.230	FK5523.115	FK5523.024
Rated voltage	200V-240V AC	100-125V AC	24V DC
Rated frequency	50/60Hz	50/60Hz	—
Air flow rate, free blowing	105/126m ³ /h	105/126m ³ /h	126m ³ /h
Air flow rate, Equipped with standard filter mat	1×FK5523.300:78/90m ³ /h		
Axial flow fan	Self starting shaded pole motor		
Rated current	0.12A/0.11A	0.24A/0.22A	0.20A
Power	19/18W	19/18W	4.8W
Noise level	41/42dB(A)	41/42dB(A)	41dB(A)
Operating temperature range	-30°C ~ +70°C	-30°C ~ +70°C	-30°C ~ +70°C
Outlet filter model	FK5522.300	FK5522.300	FK5522.300
Material	Thermoplastic, UL94 V-0 (optional)		
Air flow direction	Air-in as standard; air-out optional		



Curve Line Grill Design

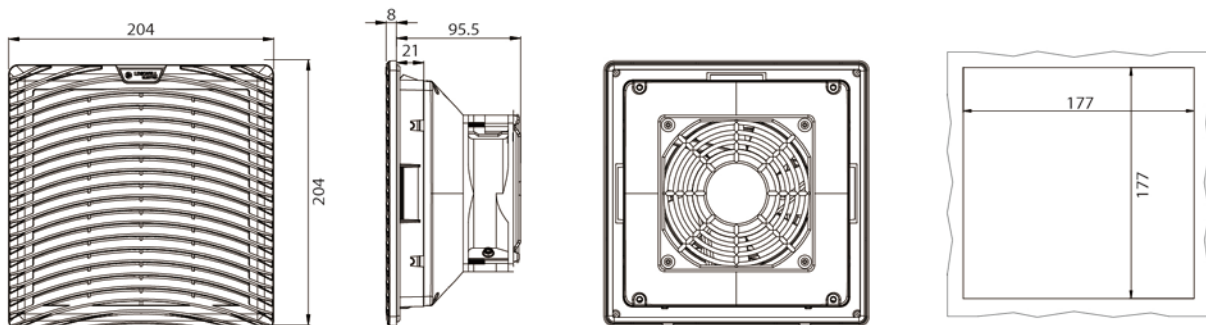


Premium Sealing Gasket



High Quality Filter Cotton

DIMENSION (mm)





FK5524.230



FK5524.300



SPECIFICATION

Fan filter model	FK5524.230	FK5524.115	FK5524.024
Rated voltage	200V-240V AC	100V-125V AC	24V DC
Rated frequency	50/60Hz	50/60Hz	—
Air flow rate, free blowing	220/240m ³ /h	220/240m ³ /h	300m ³ /h
Air flow rate, Equipped with standard filter mat	1×FK5524.300:155/185m ³ /h		
Axial flow fan	Self starting shaded pole motor		
Rated current	0.24A/0.22A	0.45A/0.42A	0.50A
Power	38/36W	38/36W	12W
Noise level	50/52dB(A)	50/52dB(A)	50dB(A)
Operating temperature range	-30°C ~ +70°C	-30°C ~ +70°C	-30°C ~ +70°C
Outlet filter model	FK5524.300	FK5524.300	FK5524.300
Material	Thermoplastic, UL94 V-0 (optional)		
Air flow direction	Air-in as standard; air-out optional		



Curve Line Grill Design

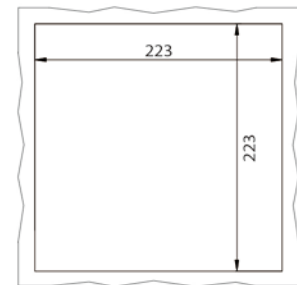
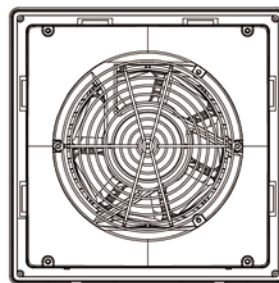
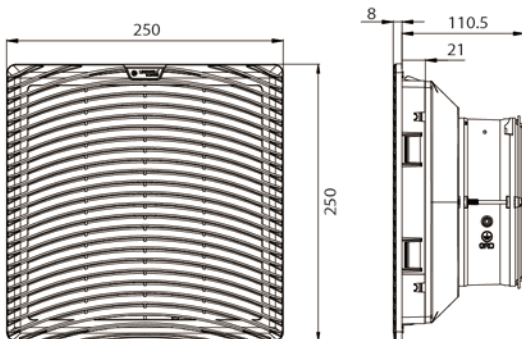


Premium Sealing Gasket



High Quality Filter Cotton

DIMENSION (mm)



FK5524-S .230

FK5525 .300



SPECIFICATION

Fan filter model	FK5524-S.230	FK5524-S.115	FK5524-S.024
Rated voltage	200V-240V AC	100-125V AC	24V DC
Rated frequency	50/60Hz	50/60Hz	-
Air flow rate, free blowing	105/126m ³ /h	105/126m ³ /h	126m ³ /h
Air flow rate, Equipped with standard filter mat	1×FK5525.300:78/90m ³ /h		
Axial flow fan	Self starting shaded pole motor		
Rated current	0.12A/0.11A	0.24A/0.22A	0.20A
Power	19/18W	19/18W	4.8W
Noise level	41/42dB(A)	41/42dB(A)	41dB(A)
Operating temperature range	-30°C ~ +70°C	-30°C ~ +70°C	-30°C ~ +70°C
Outlet filter model	FK5525.300	FK5525.300	FK5525.300
Material	Thermoplastic, UL94 V-0 (optional)		
Air flow direction	Air-in as standard; air-out optional		



Curve Line Grill Design

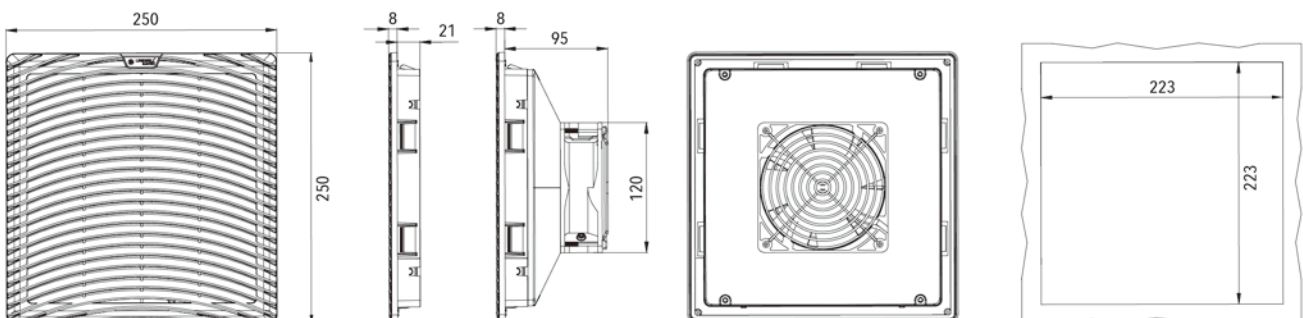


Premium Sealing Gasket



High Quality Filter Cotton

DIMENSION (mm)



FK5525.230

FK5525.300



IP54

CE

RoHS
COMPLIANT

-30 +70

SPECIFICATION

Fan filter model	FK5525.230	FK5525.115
Rated voltage	200V-240V AC	100V-125V AC
Rated frequency	50/60Hz	50/60Hz
Air flow rate, free blowing	230/265m ³ /h	230/265m ³ /h
Air flow rate, Equipped with standard filter mat	1 × FK5525.300: 190/215m ³ /h	
Axial flow fan	Capacitor operated	
Rated current	0.22A/0.20A	0.45A/0.50A
Power	37/35W	37/35W
Noise level	50/52dB(A)	50/52dB(A)
Operating temperature range	-30°C ~ +70°C	-30°C ~ +70°C
Outlet filter model	FK5525.300	FK5525.300
Material	Thermoplastic, UL94 V-0 (optional)	
Air flow direction	Air-in as standard; air-out optional	



Curve Line Grill Design

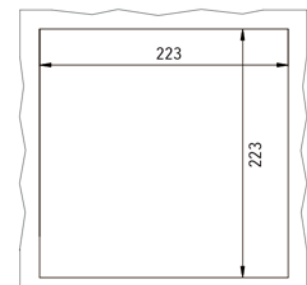
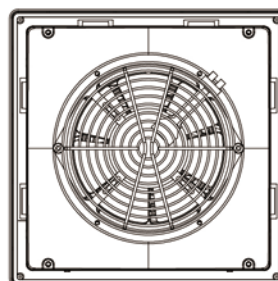
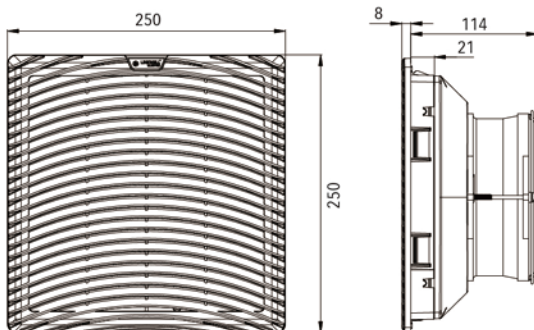


Premium Sealing Gasket



High Quality Filter Cotton

DIMENSION (mm)



FK5525-D series FAN-AND-FILTER

FK5525-D.230

FK5525.300



IP54

CE

RoHS COMPLIANT

-30 +70 °C

SPECIFICATION

Fan filter model	FK5525-D.230	FK5525-D.115
Rated voltage	200V-240V AC	100V-125V AC
Rated frequency	50/60Hz	50/60Hz
Air flow rate, free blowing	330/370m ³ /h	330/370m ³ /h
Air flow rate, Equipped with standard filter mat	1 × FK5525.300:231/259m ³ /h	
Axial flow fan	Capacitor operated	
Rated current	0.22A/0.20A	0.45A/0.50A
Power	37/35W	37/35W
Noise level	50/52dB(A)	50/52dB(A)
Operating temperature range	-30°C ~ +70°C	-30°C ~ +70°C
Outlet filter model	FK5525.300	FK5525.300
Material	Thermoplastic, UL94 V-0 (optional)	
Air flow direction	Air-in as standard; air-out optional	



Curve Line Grill Design

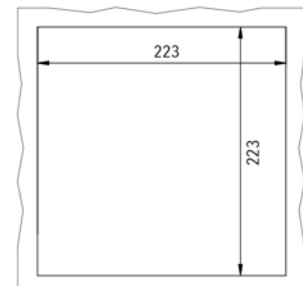
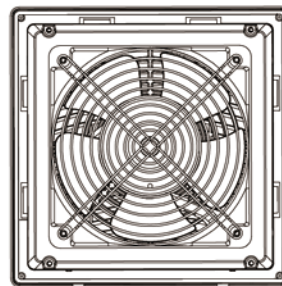
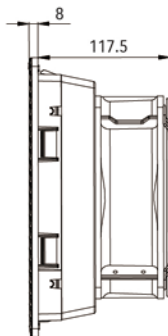
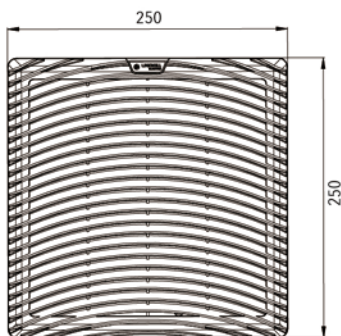


Premium Sealing Gasket



High Quality Filter Cotton

DIMENSION (mm)





FK525-E.230

FK525.300



SPECIFICATION

Fan filter model	FK525-E.230	FK525-E.115
Rated voltage	200V-240V AC	100V-125V AC
Rated frequency	50/60Hz	50/60Hz
Air flow rate, free blowing	420/430m ³ /h	420/430m ³ /h
Air flow rate, Equipped with standard filter mat	1 × FK525.300:294/301m ³ /h	
Axial flow fan	Capacitor operated	
Rated current	0.22A/0.20A	0.45A/0.50A
Power	37/35W	37/35W
Noise level	50/52dB(A)	50/52dB(A)
Operating temperature range	-30°C ~ +70°C	-30°C ~ +70°C
Outlet filter model	FK525.300	FK525.300
Material	Thermoplastic, UL94 V-0 (optional)	
Air flow direction	Air-in as standard; air-out optional	



Curve Line Grill Design

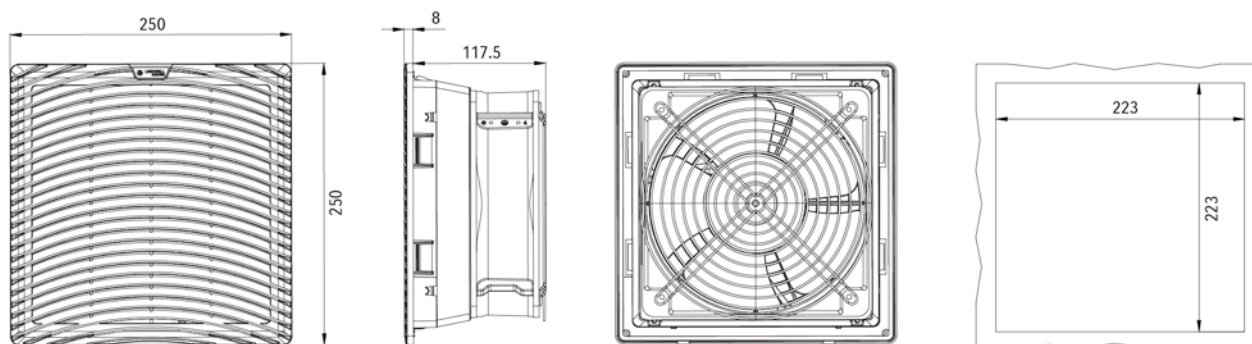


Premium Sealing Gasket



High Quality Filter Cotton

DIMENSION (mm)



FK5525-F series FAN-AND-FILTER

FK5525-F.230

FK5525.300



SPECIFICATION

Fan filter model	FK5525-F.230	FK5525-F.115
Rated voltage	200V-240V AC	100V-125V AC
Rated frequency	50/60Hz	50/60Hz
Air flow rate, free blowing	700/750m ³ /h	700/750m ³ /h
Air flow rate, Equipped with standard filter mat	1 × FK5525.300:490/525m ³ /h	
Axial flow fan	Capacitor operated	
Rated current	0.22A/0.20A	0.45A/0.50A
Power	37/35W	37/35W
Noise level	50/52dB(A)	50/52dB(A)
Operating temperature range	-30°C ~ +70°C	-30°C ~ +70°C
Outlet filter model	FK5525.300	FK5525.300
Material	Thermoplastic, UL94 V-0 (optional)	
Air flow direction	Air-in as standard; air-out optional	



Curve Line Grill Design

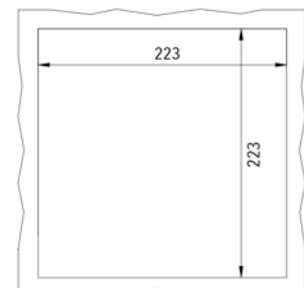
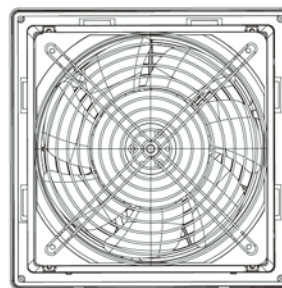
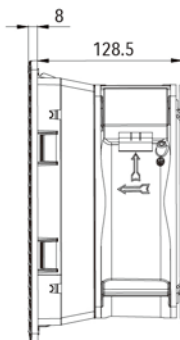
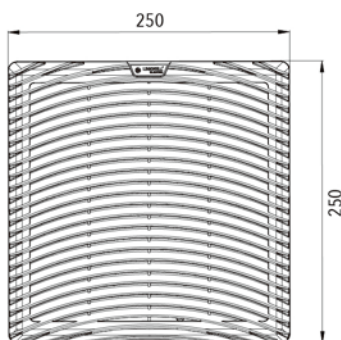


Premium Sealing Gasket



High Quality Filter Cotton

DIMENSION (mm)





FK5526.230



FK5526.300



SPECIFICATION

Fan filter model	FK5526.230	FK5526.115
Rated voltage	200V-240V AC	100V-125V AC
Rated frequency	50/60Hz	50/60Hz
Air flow rate, free blowing	550/600m ³ /h	550/600m ³ /h
Air flow rate, Equipped with standard filter mat	1 × FK5526.300:380/410m ³ /h	
Axial flow fan	Capacitor operated	
Rated current	0.30A/0.35A	0.55A/0.65A
Power	55/65W	55/65W
Noise level	62/65dB(A)	62/65dB(A)
Operating temperature range	-30°C ~ +70°C	-30°C ~ +70°C
Outlet filter model	FK5526.300	FK5526.300
Material	Thermoplastic, UL94 V-0 (optional)	
Air flow direction	Air-in as standard; air-out optional	



Curve Line Grill Design

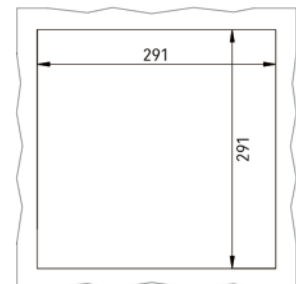
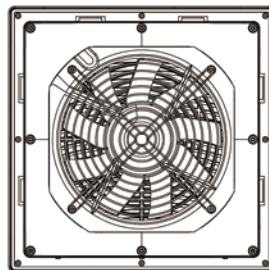
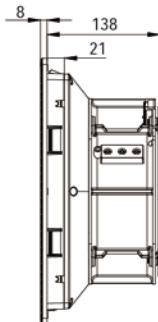
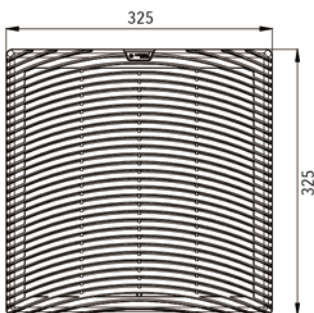


Premium Sealing Gasket



High Quality Filter Cotton

DIMENSION (mm)



FK5527.230

FK5526.300



IP54

CE

RoHS COMPLIANT

-30 +70 °C

SPECIFICATION

Fan filter model	FK5527.230	FK5527.115
Rated voltage	200V-240V AC	100V-125V AC
Rated frequency	50/60Hz	50/60Hz
Air flow rate, free blowing	380/400m ³ /h	
Air flow rate, Equipped with standard filter mat	1×FK5526.300:248/260m ³ /h	
Axial flow fan	Capacitor operated	
Rated current	0.35A/0.32A	0.58A/0.54A
Power	45/42W	45/42W
Noise level	63/65dB(A)	63/65dB(A)
Operating temperature range	-30°C ~ +70°C	-30°C ~ +70°C
Outlet filter model	FK5526.300	FK5526.300
Material	Thermoplastic, UL94 V-0 (optional)	
Air flow direction	Air-in as standard; air-out optional	



Curve Line Grill Design

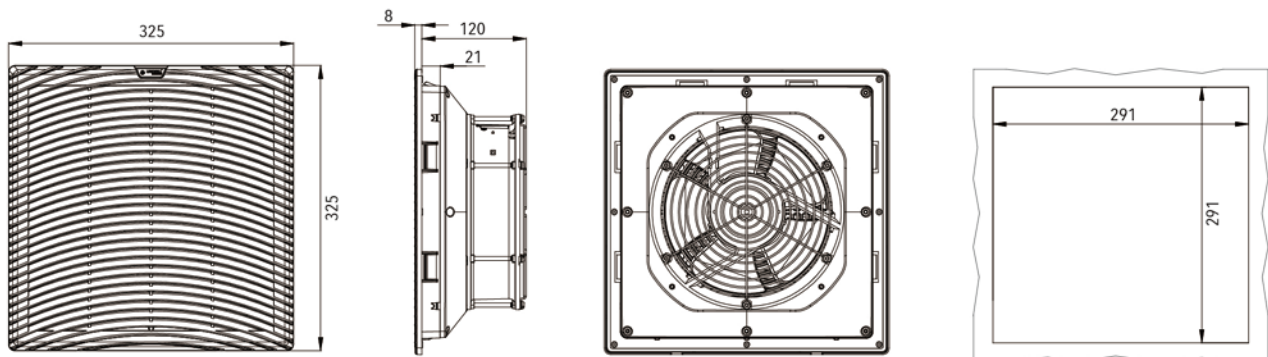


Premium Sealing Gasket



High Quality Filter Cotton

DIMENSION (mm)





FK5528.230



FK5526.300



SPECIFICATION

Fan filter model	FK5528.230	FK5528.115
Rated voltage	200V-240V AC	100V-125V AC
Rated frequency	50/60Hz	50/60Hz
Air flow rate, free blowing	1150/1350m ³ /h	
Air flow rate, Equipped with standard filter mat	1 × FK5526.300:750/950m ³ /h	
Axial flow fan	Capacitor operated	
Rated current	0.55A/0.65A	1.0A/1.1A
Power	110/150W	110/150W
Noise level	68/71dB(A)	68/71dB(A)
Operating temperature range	-30°C ~ +70°C	-30°C ~ +70°C
Outlet filter model	FK5526.300	FK5526.300
Material	Thermoplastic, UL94 V-0 (optional)	
Air flow direction	Air-in as standard; air-out optional	



Curve Line Grill Design

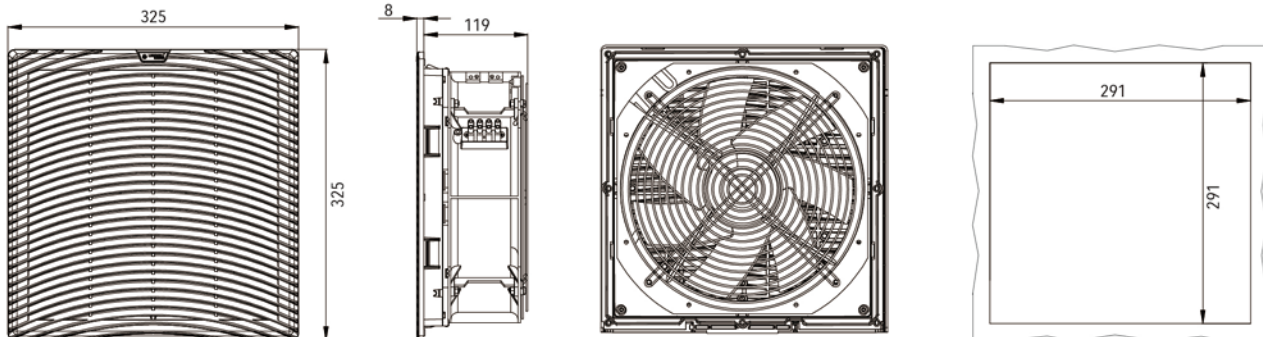


Premium Sealing Gasket



High Quality Filter Cotton

DIMENSION (mm)





FK5529.230

FK5526.300



IP54

CE

RoHS COMPLIANT

-30 +70 °C

SPECIFICATION

Fan filter model	FK5529.230	FK5529.115
Rated voltage	200V-240V AC	100V-125V AC
Rated frequency	50/60Hz	50/60Hz
Air flow rate, free blowing	1150/1350m ³ /h	
Air flow rate, Equipped with standard filter mat	1 × FK5526.300:750/950m ³ /h	
Axial flow fan	Capacitor operated	
Rated current	0.55A/0.65A	1.0A/1.1A
Power	110/150W	110/150W
Noise level	68/71dB(A)	68/71dB(A)
Operating temperature range	-30°C ~ +70°C	-30°C ~ +70°C
Outlet filter model	FK5526.300	FK5526.300
Material	Thermoplastic, UL94 V-0 (optional)	
Air flow direction	Air-in as standard; air-out optional	



Curve Line Grill Design

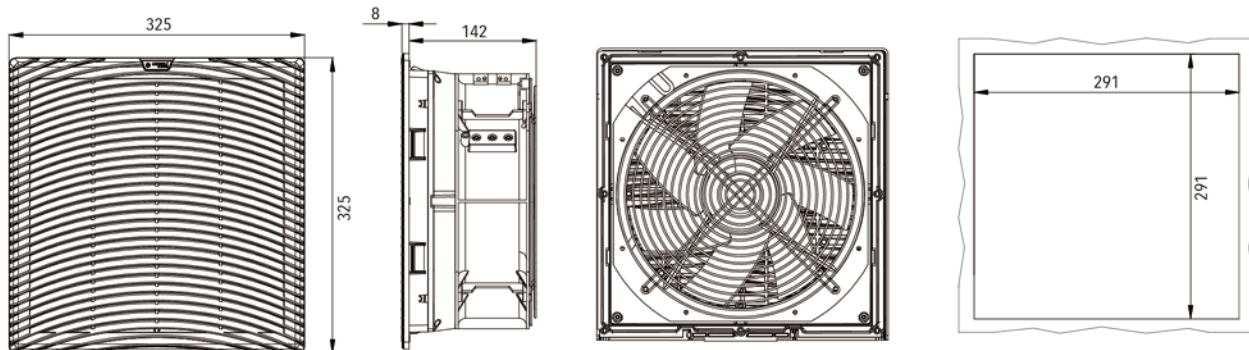


Premium Sealing Gasket



High Quality Filter Cotton

DIMENSION (mm)



FU95-9225.230

FU95.300



IP54

CE

RoHS COMPLIANT

-20 +70

SPECIFICATION

Fan filter model	FU95-9225.230	FU95-9225.115	FU95-9225.024
Rated voltage	200V-240V AC	100V-125V AC	24V DC
Rated frequency	50/60Hz	50/60Hz	-
Air flow rate, free blowing	25/35m ³ /h	25/35m ³ /h	35m ³ /h
Air flow rate, Equipped with standard filter mat	1×FU95.300: 20/25m ³ /h		
Axial flow fan	Self starting shaded pole motor		
Rated current	0.07A/0.06A	0.12A/0.11A	0.08A
Power	12/11W	12/11W	1.92W
Noise level	37/41dB(A)	47/41dB(A)	41dB(A)
Operating temperature range	-30°C ~ +70°C	-30°C ~ +70°C	-30°C ~ +70°C
Outlet filter model	FU95.300	FU95.300	FU95.300
Material	Thermoplastic, UL94 V-0 (optional)		
Air flow direction	Air-in as standard; air-out optional		



Enhanced Grill with Higher IP Rating

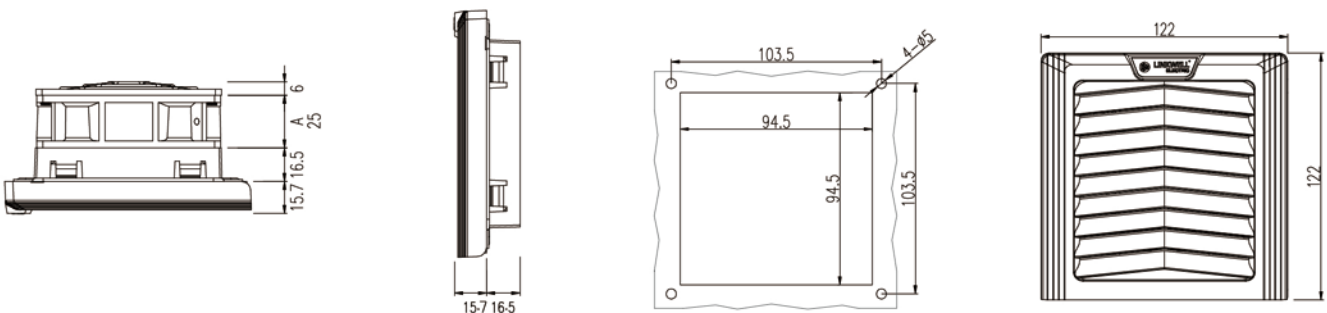


Easy-open Structure, quicker Maintenance Of Filter Mat



Snap-in Assembly Or Bolts Fasten

DIMENSION (mm) Optional Fan Size:92 x 92mm



FU122-12038.230

FU122.300



IP54

CE

RoHS
COMPLIANT

-20 +70
°C

SPECIFICATION

Fan filter model	FU122-12038.230	FU122-12038.115	FU122-12038.024
Rated voltage	200V-240V AC	100V-125V AC	24V DC
Rated frequency	50/60Hz	50/60Hz	-
Air flow rate, free blowing	65/85m ³ /h	65/85m ³ /h	100m ³ /h
Air flow rate, Equipped with standard filter mat	1×FU122.300: 55/70m ³ /h		
Axial flow fan	Self starting shaded pole motor		
Rated current	0.12A/0.11A	0.24A/0.22A	0.20A
Power	19/18W	19/18W	4.8W
Noise level	41/42dB(A)	41/42dB(A)	41dB(A)
Operating temperature range	-20°C ~ +70°C	-20°C ~ +70°C	-20°C ~ +70°C
Outlet filter model	FU122.300	FU122.300	FU122.300
Material	Thermoplastic, UL94 V-0 (optional)		
Air flow direction	Air-in as standard; air-out optional		



Enhanced Grill with Higher IP Rating

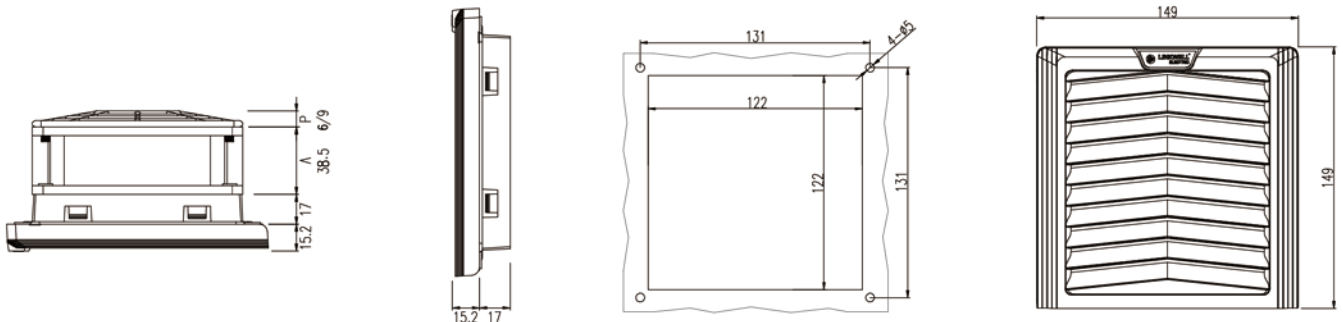


Easy-open Structure, quicker Maintenance Of Filter Mat



Snap-in Assembly Or Bolts Fasten

DIMENSION (mm) Optional Fan Size:120 x 120mm



FU175-AD-12038.230

FU175.300



IP54

CE

RoHS COMPLIANT

-20 +70

SPECIFICATION

Fan filter model	FU175-AD-12038.230	FU175-AD-12038.115	FU175-AD-12038.024
Rated voltage	200V-240V AC	100V-125V AC	24V DC
Rated frequency	50/60Hz	50/60Hz	-
Air flow rate, free blowing	105/126m ³ /h	105/126m ³ /h	126m ³ /h
Air flow rate, Equipped with standard filter mat	1 × FU175.300: 78/90m ³ /h		
Axial flow fan	Self starting shaded pole motor		
Rated current	0.12A/0.11A	0.24A/0.22A	0.20A
Power	19/18W	19/18W	4.8W
Noise level	41/42dB(A)	41/42dB(A)	41dB(A)
Operating temperature range	-20°C ~ +70°C	-20°C ~ +70°C	-20°C ~ +70°C
Outlet filter model	FU175.300	FU175.300	FU175.300
Material	Thermoplastic, UL94 V-0 (optional)		
Air flow direction	Air-in as standard; air-out optional		



Enhanced Grill with Higher IP Rating

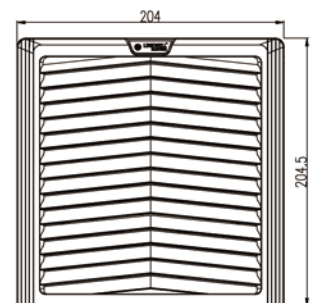
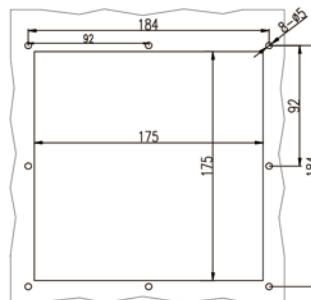
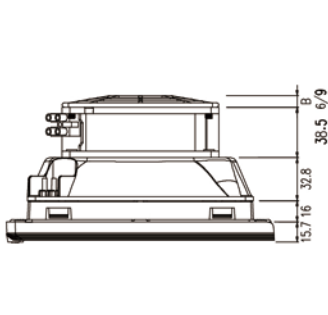


Easy-open Structure, quicker Maintenance Of Filter Mat



Flexible Fan Size By Embedded Nuts

DIMENSION (mm) Optional Fan Size: 120 x 120/150x150/172x150mm



FU223-AD-12038.230

FU223.300



IP54

CE

RoHS COMPLIANT

-20 +70 °C

SPECIFICATION

Fan filter model	FU223-AD-12038.230	FU223-AD-12038.115	FU223-AD-12038.024
Rated voltage	200V-240V AC	100V-125V AC	24V DC
Rated frequency	50/60Hz	50/60Hz	-
Air flow rate, free blowing	105/126m ³ /h	105/126m ³ /h	126m ³ /h
Air flow rate, Equipped with standard filter mat	1×FU223.300: 78/90m ³ /h		
Axial flow fan	Self starting shaded pole motor		
Rated current	0.12A/0.11A	0.24A/0.22A	0.20A
Power	19/18W	19/18W	4.8W
Noise level	41/42dB(A)	41/42dB(A)	41dB(A)
Operating temperature range	-20°C ~ +70°C	-20°C ~ +70°C	-20°C ~ +70°C
Outlet filter model	FU223.300	FU223.300	FU223.300
Material	Thermoplastic, UL94 V-0 (optional)		
Air flow direction	Air-in as standard; air-out optional		



Enhanced Grill with Higher IP Rating

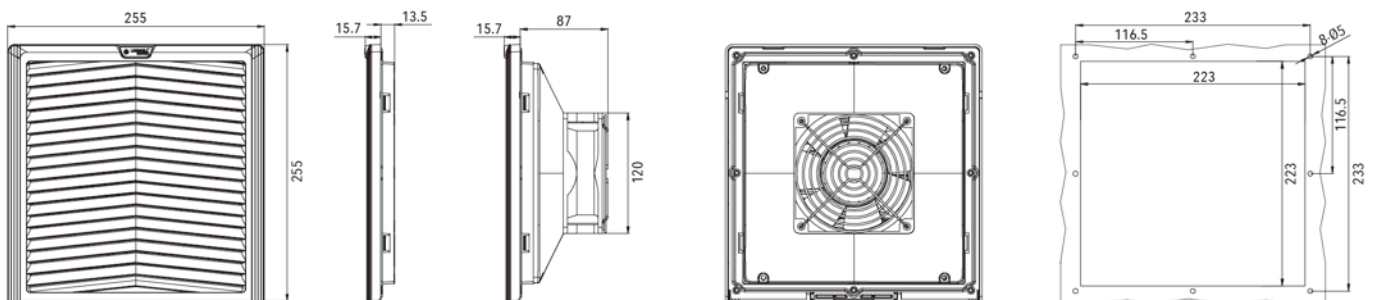


Easy-open Structure, quicker Maintenance Of Filter Mat



Flexible Fan Size By Embedded Nuts

DIMENSION (mm)



FU223-AD-17251.230

FU223.300



SPECIFICATION

Fan filter model	FU223-AD-17251.230	FU223-AD-17251.115	FU223-AD-17251.024
Rated voltage	200V-240V AC	100V-125V AC	24V DC
Rated frequency	50/60Hz	50/60Hz	-
Air flow rate, free blowing	220/240m ³ /h	220/240m ³ /h	300m ³ /h
Air flow rate, Equipped with standard filter mat	1×FU223.300: 115/185m ³ /h		
Axial flow fan	Self starting shaded pole motor		
Rated current	0.24A/0.22A	0.45A/0.42A	0.50A
Power	38/36W	38/36W	12W
Noise level	50/52dB(A)	50/52dB(A)	50dB(A)
Operating temperature range	-20°C ~ +70°C	-20°C ~ +70°C	-20°C ~ +70°C
Outlet filter model	FU223.300	FU223.300	FU223.300
Material	Thermoplastic, UL94 V-0 (optional)		
Air flow direction	Air-in as standard; air-out optional		



Air Duct Options For Bigger Air Flow

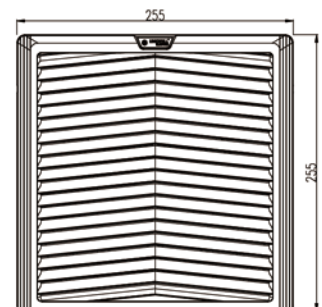
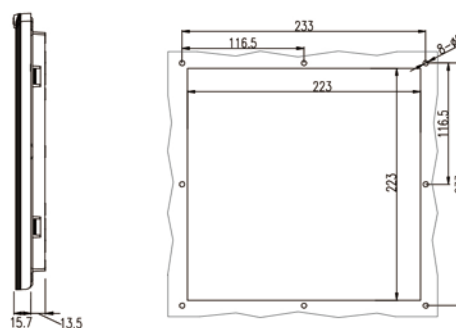
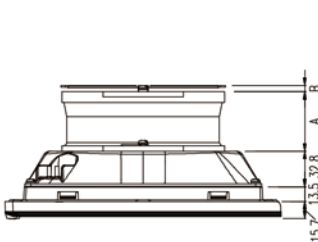


Easy-open Structure, quicker Maintenance Of Filter Mat



Flexible Fan Size By Embedded Nuts

DIMENSION (mm) Optional Fan Size: 180x60/205x72/220x60/172x51/172x55/225x80mm



FU223-AD-18060.230

FU223.300



SPECIFICATION

Fan filter model	FU223-AD-18060.230	FU223-AD-18060.115
Rated voltage	200V-240V AC	100V-125V AC
Rated frequency	50/60Hz	50/60Hz
Air flow rate, free blowing	330/370m³/h	330/370m³/h
Air flow rate, Equipped with standard filter mat	1 × FU223.300: 230/260m³/h	
Axial flow fan	Self starting shaded pole motor	
Rated current	0.35A/0.32A	0.54A/0.52A
Power	42/40W	42/40W
Noise level	50/52dB(A)	50/52dB(A)
Operating temperature range	-20°C ~ +70°C	-20°C ~ +70°C
Outlet filter model	FU223.300	FU223.300
Material	Thermoplastic, UL94 V-0 (optional)	
Air flow direction	Air-in as standard; air-out optional	



Air Duct Options For Bigger Air Flow

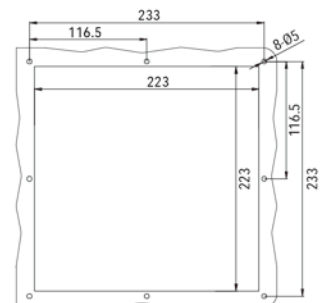
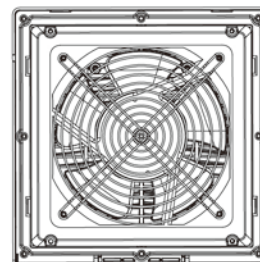
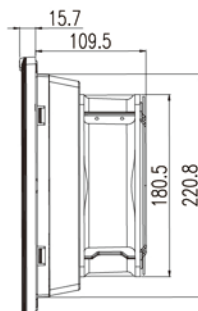
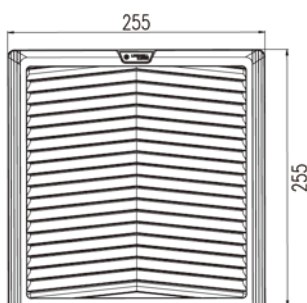


Easy-open Structure, quicker Maintenance Of Filter Mat



Flexible Fan Size By Embedded Nuts

DIMENSION (mm)



FU223-AD-20060.230

FU223.300



SPECIFICATION

Fan filter model	FU223-AD-20060.230	FU223-AD-20060.115	FU223-AD-20060.24
Rated voltage	200V-240V AC	100V-125V AC	24V AC
Rated frequency	50/60Hz	50/60Hz	-
Air flow rate, free blowing	420/430m ³ /h	420/430m ³ /h	290m ³ /h
Air flow rate, Equipped with standard filter mat	1×FU223.300: 295/300m ³ /h		
Axial flow fan	Self starting shaded pole motor		
Rated current	0.35A/0.32A	0.60A/0.58A	1.6A
Power	45/42W	45/42W	38W
Noise level	50/52dB(A)	50/52dB(A)	64dB(A)
Operating temperature range	-20°C ~ +70°C	-20°C ~ +70°C	-20°C ~ +65°C
Outlet filter model	FU223.300	FU223.300	FU223.300
Material	Thermoplastic, UL94 V-0 (optional)		
Air flow direction	Air-in as standard; air-out optional		



Air Duct Options For Bigger Air Flow

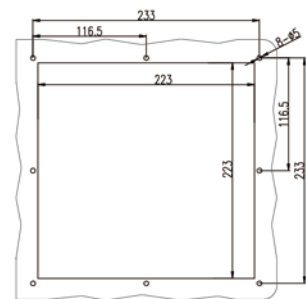
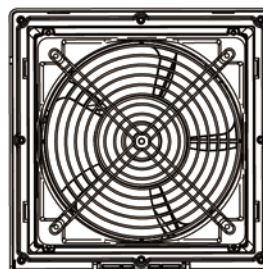
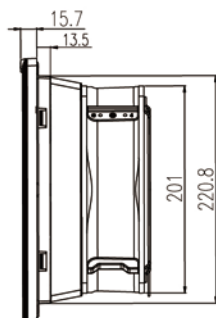
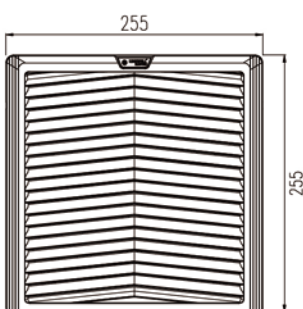


Easy-open Structure, quicker Maintenance Of Filter Mat



Flexible Fan Size By Embedded Nuts

DIMENSION (mm)



FU223-AD-20572.230

FU223.300



SPECIFICATION

Fan filter model	FU223-AD-20572.230	FU223-AD-20572.115
Rated voltage	200V-240V AC	100V-125V AC
Rated frequency	50/60Hz	50/60Hz
Air flow rate, free blowing	700/750m ³ /h	700/750m ³ /h
Air flow rate, Equipped with standard filter mat	1 × FU223.300: 490/525m ³ /h	
Axial flow fan	Self starting shaded pole motor	
Rated current	0.30A/0.35A	0.60A/0.70A
Power	60/80W	60/80W
Noise level	50/52dB(A)	50/52dB(A)
Operating temperature range	-20°C ~ +70°C	-20°C ~ +70°C
Outlet filter model	FU223.300	FU223.300
Material	Thermoplastic, UL94 V-0 (optional)	
Air flow direction	Air-in as standard; air-out optional	



Air Duct Options For Bigger Air Flow

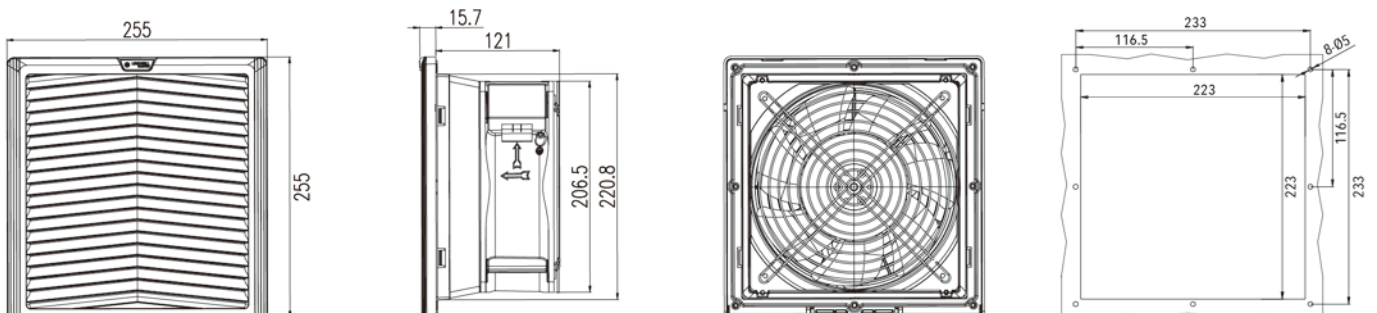


Easy-open Structure, quicker Maintenance Of Filter Mat



Flexible Fan Size By Embedded Nuts

DIMENSION (mm)





FU283-AD-22580.230

FU283.300



IP54

CE

RoHS COMPLIANT

-20 +70

SPECIFICATION

Fan filter model	FU283-AD-22580.230	FU283-AD-22580.115
Rated voltage	200V-240V AC	100V-125V AC
Rated frequency	50/60Hz	50/60Hz
Air flow rate, free blowing	550/600m ³ /h	550/600m ³ /h
Air flow rate, Equipped with standard filter mat	1×FU283.300: 380/410m ³ /h	
Axial flow fan	Capacitor operated	
Rated current	0.30A/0.35A	0.55A/0.65 A
Power	55/65W	55/65W
Noise level	59/61dB(A)	59/61dB(A)
Operating temperature range	-20°C ~ +70°C	-20°C ~ +70°C
Outlet filter model	FU283.300	FU283.300
Material	Thermoplastic, UL94 V-0 (optional)	
Air flow direction	Air-in as standard; air-out optional	



Air Duct Options For Bigger Air Flow

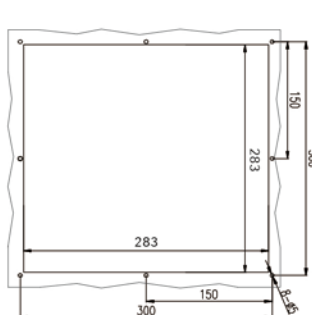
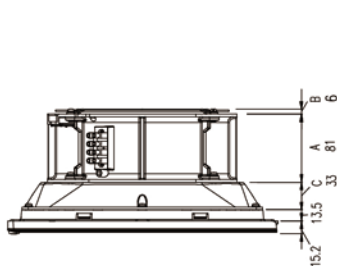


Easy-open Structure, quicker Maintenance Of Filter Mat



Flexible Fan Size By Embedded Nuts

DIMENSION (mm) Optional Fan Size: 205 x72/220x60/254x89/220x60/225 x80/280x80mm



FU292-AD-22580.230

FU292.300



SPECIFICATION

Fan filter model	FU292-AD-22580.230	FU292-AD-22580.115
Rated voltage	200V-240V AC	100V-125V AC
Rated frequency	50/60Hz	50/60Hz
Air flow rate, free blowing	550/600m ³ /h	550/600m ³ /h
Air flow rate, Equipped with standard filter mat	1 × FU292.300: 380/410m ³ /h	
Axial flow fan	Capacitor operated	
Rated current	0.30A/0.35A	0.55A/0.65A
Power	55/65W	55/65W
Noise level	59/61dB(A)	59/61dB(A)
Operating temperature range	-20°C ~ +70°C	-20°C ~ +70°C
Outlet filter model	FU292.300	FU292.300
Material	Thermoplastic, UL94 V-0 (optional)	
Air flow direction	Air-in as standard; air-out optional	



Air Duct Options For Bigger Air Flow

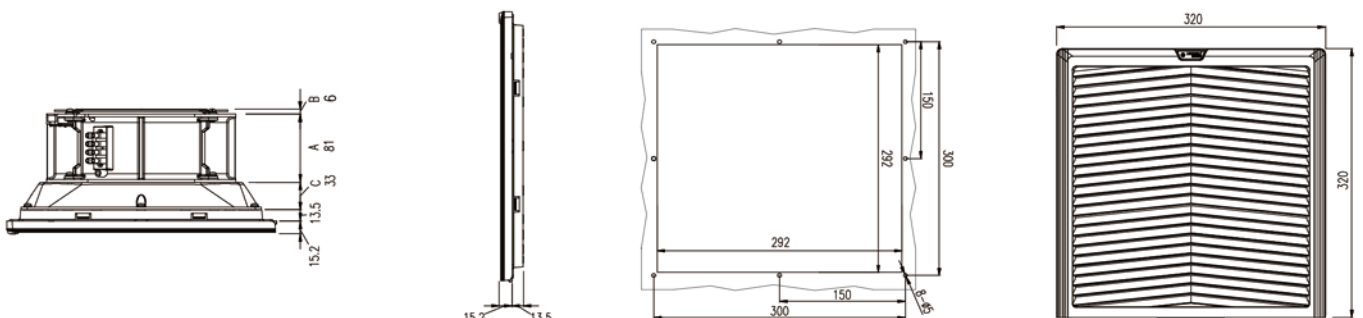


Easy-open Structure, quicker Maintenance Of Filter Mat



Flexible Fan Size By Embedded Nuts

DIMENSION (mm) Optional Fan Size: 205 x72/200x60/254x89/220x60/225 x80/280x80mm





FU292-D.230



FU292.300



IP54

CE

RoHS COMPLIANT

-20 +70

SPECIFICATION

Fan filter model	FU292-D.230	FU292-D.115
Rated voltage	200V-240V AC	100V-125V AC
Rated frequency	50/60Hz	50/60Hz
Air flow rate, free blowing	1150/1350m ³ /h	1150/1350m ³ /h
Air flow rate, Equipped with standard filter mat	1×FU292.300: 750/950m ³ /h	
Axial flow fan	Capacitor operated	
Rated current	0.55A/0.65A	1.0A/1.1A
Power	110/150W	110/150W
Noise level	68/71dB(A)	68/71dB(A)
Operating temperature range	-20°C ~ +70°C	-20°C ~ +70°C
Outlet filter model	FU292.300	FU292.300
Material	Thermoplastic, UL94 V-0 (optional)	
Air flow direction	Air-in as standard; air-out optional	



Enhanced Grill with Higher IP Rating

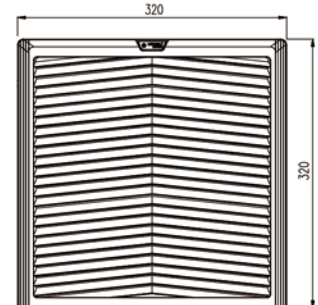
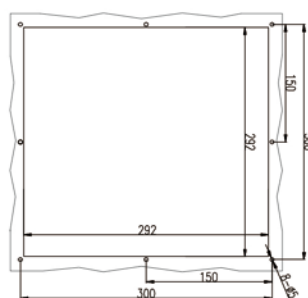
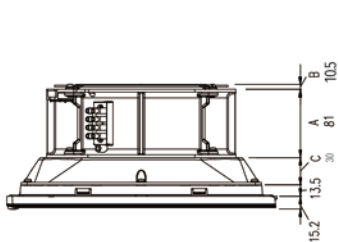


Easy-open Structure, quicker Maintenance Of Filter Mat



Flexible Fan Size By Embedded Nuts

DIMENSION (mm) Optional Fan Size: 205 x72/200x60/254x89 /220x60/225 x80/280x80mm



FU392-12038.230



IP54

CE

RoHS
COMPLIANT

-20 +70
°C

SPECIFICATION

Fan filter model	FU392-12038.230	FU392-12038.115	FU392-12038.024
Rated voltage	200V-240V AC	100V-125V AC	24V DC
Rated frequency	50/60Hz	50/60Hz	-
Air flow rate, free blowing	280/305m³/h	280/305m³/h	300m³/h
Air flow rate, Equipped with standard filter mat	1×FU392.300: 196/213m³/h		
Axial flow fan	Self starting shaded pole motor		
Rated current	0.36A/0.33A	0.70A/0.65A	0.60A
Power	57/54W	57/54W	12W
Noise level	41/42dB(A)	41/42dB(A)	41dB(A)
Operating temperature range	-20°C ~ +70°C	-20°C ~ +70°C	-20°C ~ +70°C
Outlet filter model	FU392.300	FU392.300	FU392.300
Material	Thermoplastic, UL94 V-0 (optional)		
Air flow direction	Air-in as standard; air-out optional		



Enhanced Grill with Higher IP Rating

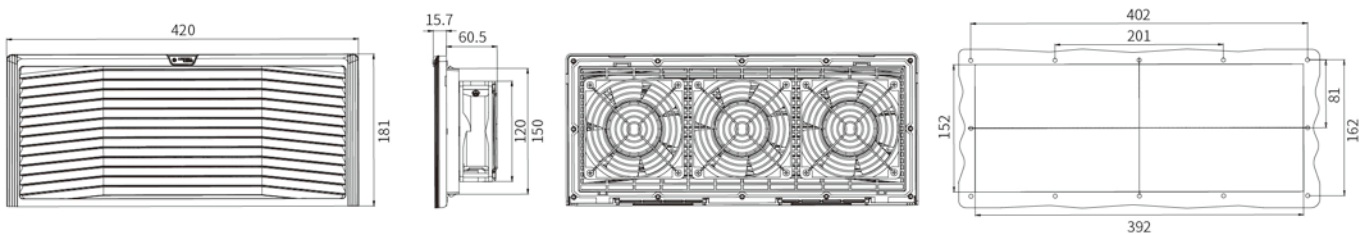


Easy-open Structure, quicker Maintenance Of Filter Mat



Snap-in Assembly Or Bolts Fasten

DIMENSION (mm)



FK95-9225.230

FK95.300



SPECIFICATION

Fan filter model	FK95-9225.230	FK95-9225.115	FK95-9225.024
Rated voltage	200V-240V AC	100V-125V AC	24V DC
Rated frequency	50/60Hz	50/60Hz	-
Air flow rate, free blowing	25/35m ³ /h	25/35m ³ /h	35m ³ /h
Air flow rate, Equipped with standard filter mat	1×FK95.300: 20/25m ³ /h		
Axial flow fan	Self starting shaded pole motor		
Rated current	0.07A/0.06A	0.12A/0.11A	0.08A
Power	12/11W	12/11W	1.98W
Noise level	37/41dB(A)	32/35dB(A)	35dB(A)
Operating temperature range	-20°C ~ +65°C	-20°C ~ +65°C	-20°C ~ +65°C
Outlet filter model	FK95.300	FK95.300	FK95.300
Material	Thermoplastic, UL94 V-0 (optional)		
Air flow direction	Air-in as standard; air-out optional		



Enhanced Grill with Higher IP Rating

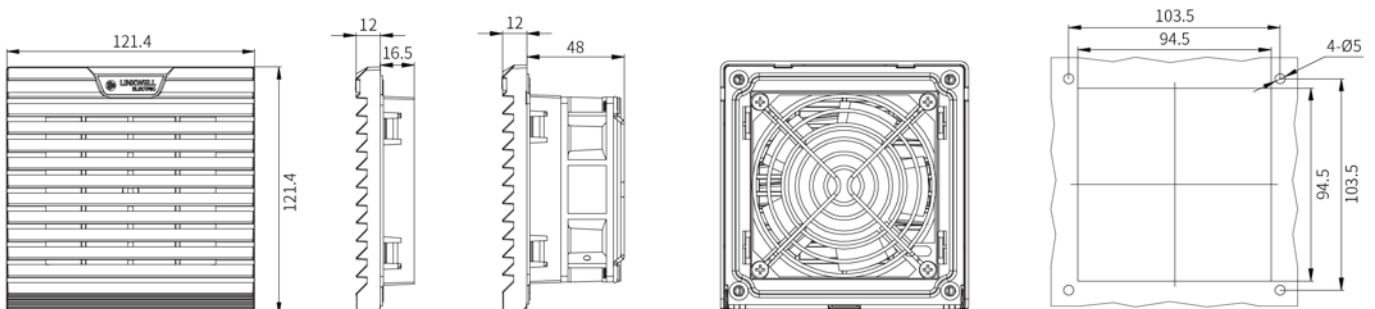


Easy-open Structure, quicker Maintenance Of Filter Mat



Flexible Fan Size By Embedded Nuts

DIMENSION (mm) Optional Fan Size:92 x92mm





FK122-12038.230

FK122.300



SPECIFICATION

Fan filter model	FK122-12038.230	FK122-12038.115	FK122-12038.024
Rated voltage	200V-240V AC	100V-125V AC	24V DC
Rated frequency	50/60Hz	50/60Hz	-
Air flow rate, free blowing	65/85m ³ /h	65/85m ³ /h	100m ³ /h
Air flow rate, Equipped with standard filter mat	1×FK122.300: 55/70m ³ /h		
Axial flow fan	Self starting shaded pole motor		
Rated current	0.12A/0.11A	0.24A/0.22A	0.2A
Power	19/18W	19/18W	4.8W
Noise level	41/42dB(A)	41/42dB(A)	41dB(A)
Operating temperature range	-20°C ~ +65°C	-20°C ~ +65°C	-20°C ~ +65°C
Outlet filter model	FK122.300	FK122.300	FK122.300
Material	Thermoplastic, UL94 V-0 (optional)		
Air flow direction	Air-in as standard; air-out optional		



Enhanced Grill with Higher IP Rating

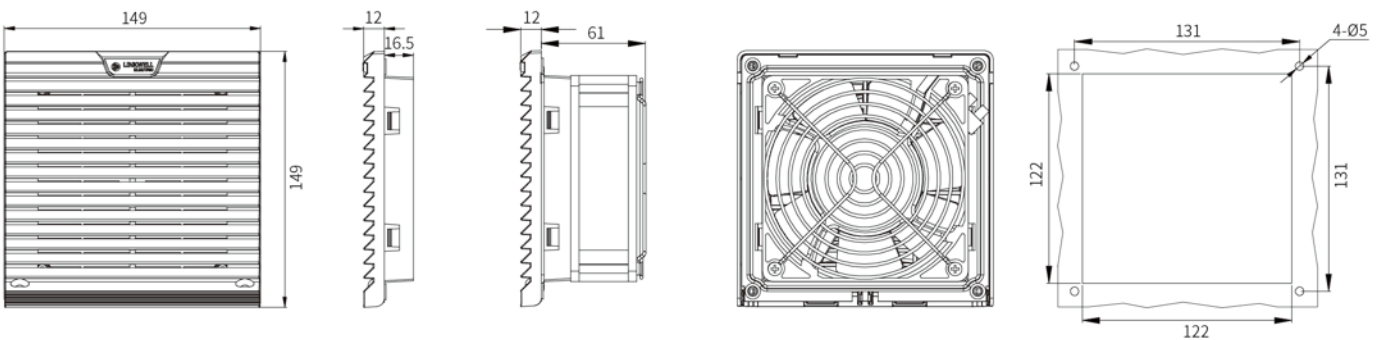


Easy-open Structure, quicker Maintenance Of Filter Mat



Flexible Fan Size By Embedded Nuts

DIMENSION (mm) Optional Fan Size: 120 x 120mm





FK175-AD-12038.230

FK175.300



IP54

CE

RoHS
COMPLIANT

-20 +65
°C

SPECIFICATION

Fan filter model	FK175-AD-12038.230	FK175-AD-12038.115	FK175-AD-12038.024
Rated voltage	200V-240V AC	100V-125V AC	24V DC
Rated frequency	50/60Hz	50/60Hz	—
Air flow rate, free blowing	105/126m ³ /h	105/126m ³ /h	126m ³ /h
Air flow rate, Equipped with standard filter mat	1×FK175.300: 78/90m ³ /h		
Axial flow fan	Self starting shaded pole motor		
Rated current	0.12A/0.11A	0.24A/0.22A	0.20A
Power	19/18W	19/18W	4.8W
Noise level	41/42dB(A)	41/42dB(A)	41dB(A)
Operating temperature range	-20°C ~ +70°C	-20°C ~ +70°C	-20°C ~ +70°C
Outlet filter model	FK175.300	FK175.300	FK175.300
Material	Thermoplastic, UL94 V-0 (optional)		
Air flow direction	Air-in as standard; air-out optional		



Enhanced Grill with Higher IP Rating

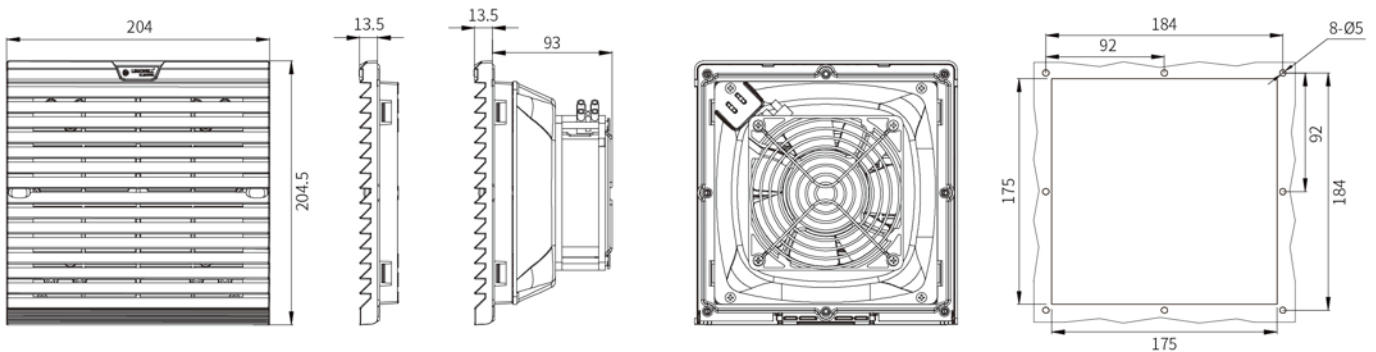


Easy-open Structure, quicker Maintenance Of Filter Mat



Flexible Fan Size By Embedded Nuts

DIMENSION (mm) Optional Fan Size: 120x120/150x150/172x150mm





FK223-AD-17251.230

FK223.300



IP54

CE

RoHS COMPLIANT

-20 +65

SPECIFICATION

Fan filter model	FK223-AD-17251.230	FK223-AD-17251.115	FK223-AD-17251.024
Rated voltage	200V-240V AC	100V-125V AC	24V DC
Rated frequency	50/60Hz	50/60Hz	—
Air flow rate, free blowing	220/240m ³ /h	220/240m ³ /h	300m ³ /h
Air flow rate, Equipped with standard filter mat	1×FK223.300: 115/185m ³ /h		
Axial flow fan	Self starting shaded pole motor		
Rated current	0.24A/0.22A	0.45A/0.42A	0.50A
Power	38/36W	38/36W	12W
Noise level	50/52dB(A)	50/52dB(A)	50dB(A)
Operating temperature range	-20°C ~ +70°C	-20°C ~ +70°C	-20°C ~ +70°C
Outlet filter model	FK223.300	FK223.300	FK223.300
Material	Thermoplastic, UL94 V-0 (optional)		
Air flow direction	Air-in as standard; air-out optional		



Enhanced Grill with Higher IP Rating

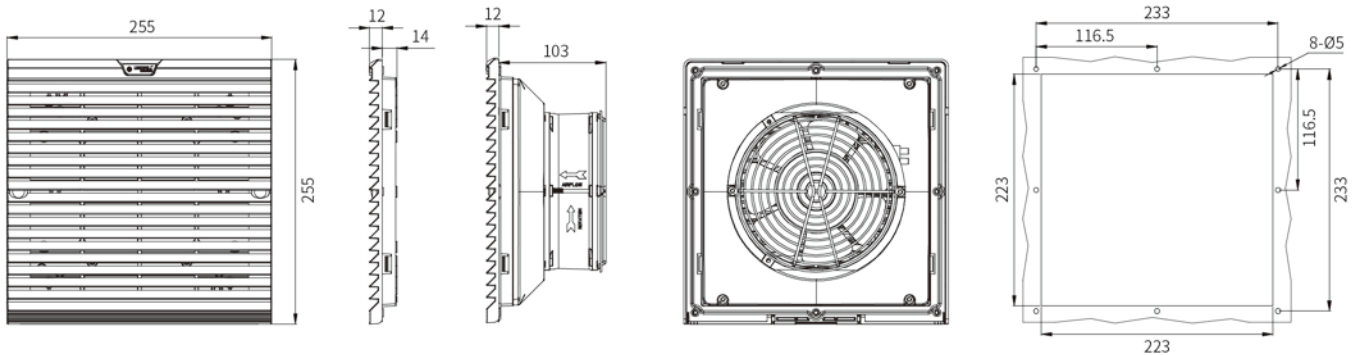


Easy-open Structure, quicker Maintenance Of Filter Mat



Flexible Fan Size By Embedded Nuts

DIMENSION (mm) Optional Fan Size: 172x51/172x55/180x60/205x72/220x60mm



FK223-AD-18060.230

FK223.300

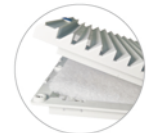


SPECIFICATION

Fan filter model	FK223-AD-18060.230	FK223-AD-18060.115
Rated voltage	200V-240V AC	100V-125V AC
Rated frequency	50/60Hz	50/60Hz
Air flow rate, free blowing	330/370m ³ /h	330/370m ³ /h
Air flow rate, Equipped with standard filter mat	1×FK223.300: 230/260m ³ /h	
Axial flow fan	Self starting shaded pole motor	
Rated current	0.35A/0.32A	0.54A/0.52A
Power	42/40W	42/40W
Noise level	63/65dB(A)	63/65dB(A)
Operating temperature range	-20°C ~ +65°C	-20°C ~ +65°C
Outlet filter model	FK223.300	FK223.300
Material	Thermoplastic, UL94 V-0 (optional)	
Air flow direction	Air-in as standard; air-out optional	



Enhanced Grill with Higher IP Rating

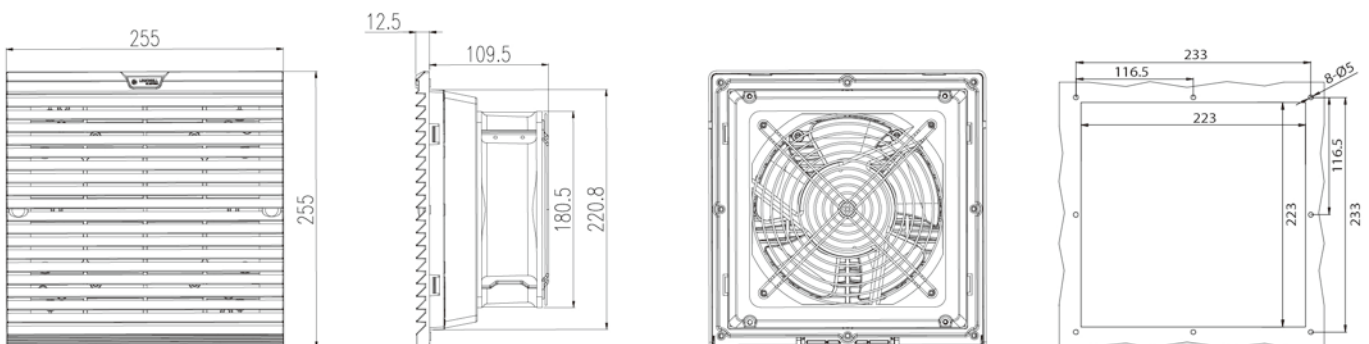


Easy-open Structure, quicker Maintenance Of Filter Mat



Flexible Fan Size By Embedded Nuts

DIMENSION (mm)





FK223-AD-20060.230



FK223.300



IP54

CE

RoHS COMPLIANT

-20 +65

SPECIFICATION

Fan filter model	FK223-AD-20060.230	FK223-AD-20060.115
Rated voltage	200V-240V AC	100V-125V AC
Rated frequency	50/60Hz	50/60Hz
Air flow rate, free blowing	420/430m ³ /h	420/430m ³ /h
Air flow rate, Equipped with standard filter mat	1×FK223.300: 295/300m ³ /h	
Axial flow fan	Self starting shaded pole motor	
Rated current	0.35A/0.32A	0.60A/0.58A
Power	45/42W	45/42W
Noise level	63/65dB(A)	63/65dB(A)
Operating temperature range	-20°C ~ +65°C	-20°C ~ +65°C
Outlet filter model	FK223.300	FK223.300
Material	Thermoplastic, UL94 V-0 (optional)	
Air flow direction	Air-in as standard; air-out optional	



Enhanced Grill with Higher IP Rating

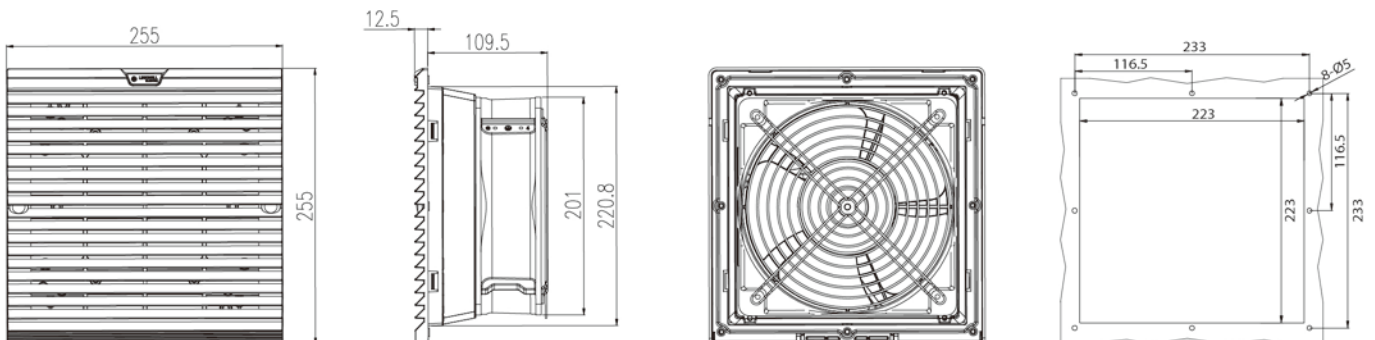


Easy-open Structure, quicker Maintenance Of Filter Mat



Flexible Fan Size By Embedded Nuts

DIMENSION (mm)



FK223-AD-20572.230

FK223.300

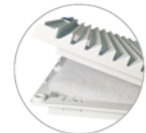


SPECIFICATION

Fan filter model	FK223-AD-20572.230	FK223-AD-20572.115
Rated voltage	200V-240V AC	100V-125V AC
Rated frequency	50/60Hz	50/60Hz
Air flow rate, free blowing	700/750m ³ /h	700/750m ³ /h
Air flow rate, Equipped with standard filter mat	1×FK223.300: 490/525m ³ /h	
Axial flow fan	Self starting shaded pole motor	
Rated current	0.30A/0.35A	0.60A/0.70A
Power	60/80W	60/80W
Noise level	63/65dB(A)	63/65dB(A)
Operating temperature range	-20°C ~ +65°C	-20°C ~ +65°C
Outlet filter model	FK223.300	FK223.300
Material	Thermoplastic, UL94 V-0 (optional)	
Air flow direction	Air-in as standard; air-out optional	



Enhanced Grill with Higher IP Rating

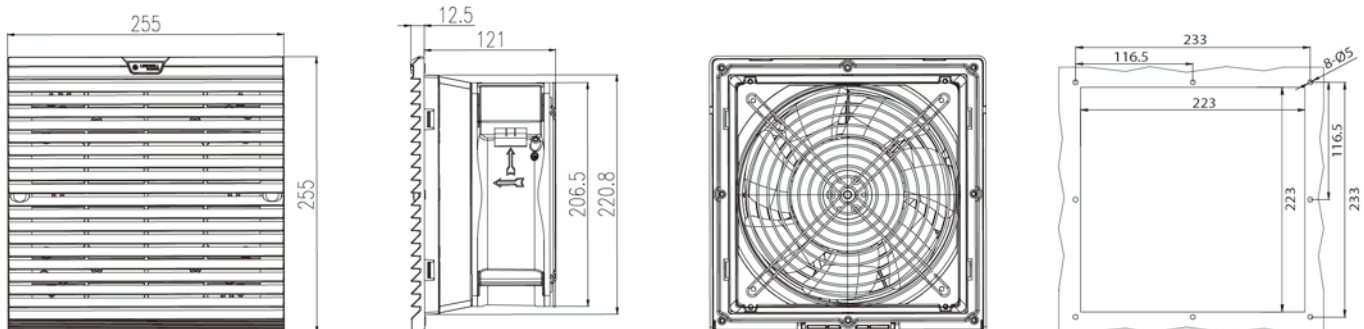


Easy-open Structure, quicker Maintenance Of Filter Mat



Flexible Fan Size By Embedded Nuts

DIMENSION (mm)





FK283-AD-22580.230

FK283.300



SPECIFICATION

Fan filter model	FK283-AD-22580.230	FK283-AD-22580.115
Rated voltage	200V-240V AC	100V-125V AC
Rated frequency	50/60Hz	50/60Hz
Air flow rate, free blowing	550/600m ³ /h	550/600m ³ /h
Air flow rate, Equipped with standard filter mat	1×FK283.300: 380/410m ³ /h	
Axial flow fan	Capacitor operated	
Rated current	0.30A/0.35A	0.55A/0.65 A
Power	55/65W	55/65W
Noise level	59/61dB(A)	59/61dB(A)
Operating temperature range	-20°C ~ +70°C	-20°C ~ +70°C
Outlet filter model	FK283.300	FK283.300
Material	Thermoplastic, UL94 V-0 (optional)	
Air flow direction	Air-in as standard; air-out optional	



Enhanced Grill with Higher IP Rating

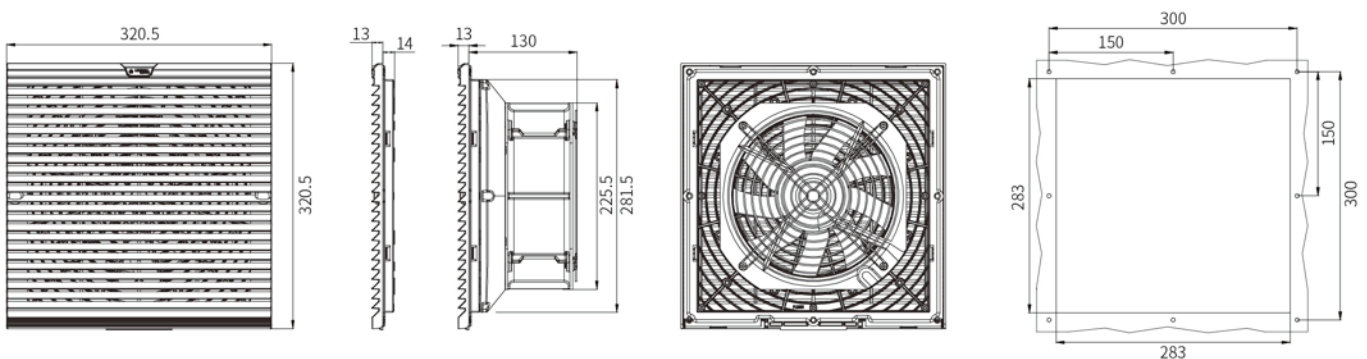


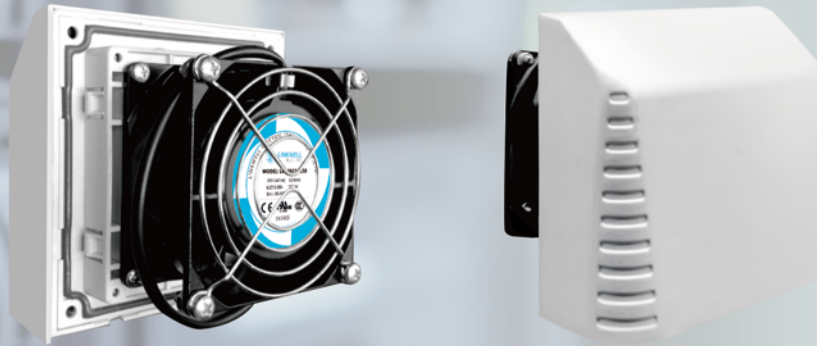
Easy-open Structure, quicker Maintenance Of Filter Mat



Flexible Fan Size By Embedded Nuts

DIMENSION (mm) Optional Fan Size: 205x72/220x60/254x89/220x60/225x80/280x80mm





IP55

CE

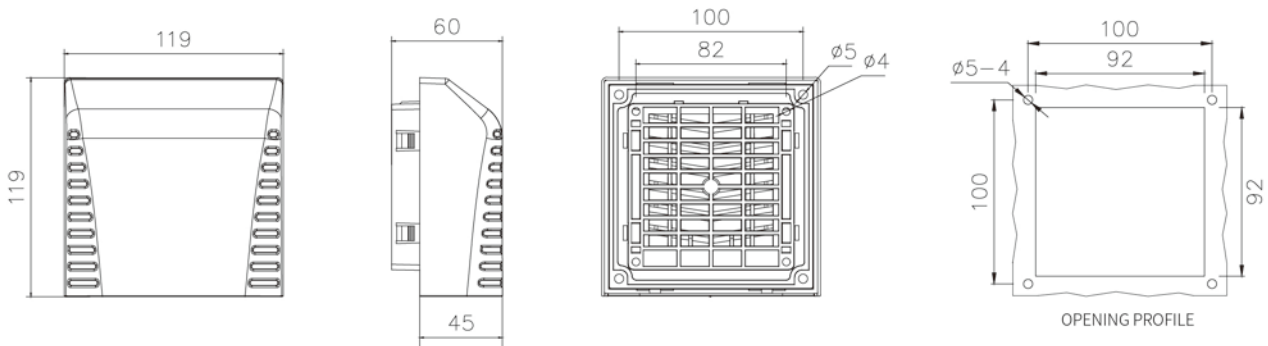
RoHS
COMPLIANT

-15 +55
°C

SPECIFICATION

Model	RC9802.230	RC9802.110	RC9802.024
Voltage/Frequency	230V AC 50/60Hz	110V AC 50/60Hz	24V DC
Power	13W	13W	6W
Electric current	0.09A	0.17A	0.085A
Dimension-Includingfans	119x119x98mm		
Dimension	119x119x60mm		
Noise	33dB(A)		
Combined airvolume	18m ³ /h		
Operating temperature range	-15°C~+55°C		
Combination weight	0.7kg		
Single weight	0.2kg		
Dust removal rate	87%		
Colour	RAL7035		
Available fan	80x80		
Filter Grade	G4		
IP code	IP55		

DIMENSION (mm)

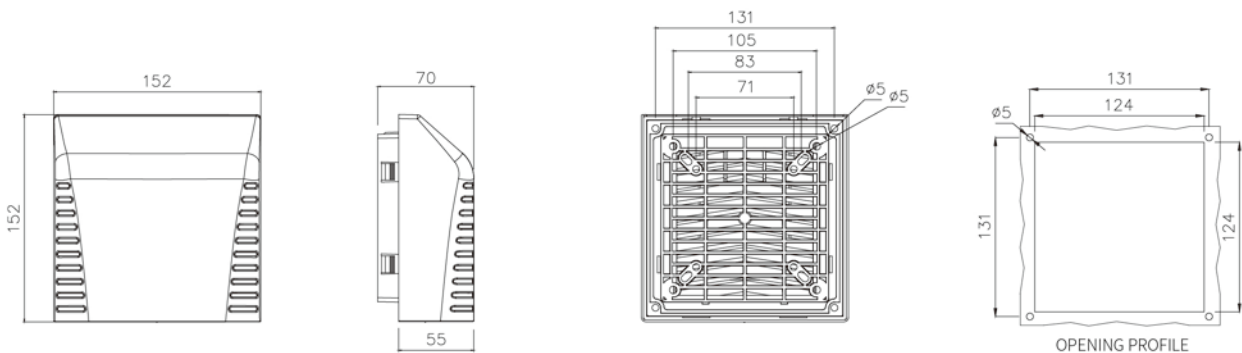




SPECIFICATION

Model	RC9803.230	RC9803.110	RC9803.024
Voltage/Frequency	230V AC 50/60Hz	110V AC 50/60Hz	24V DC
Power	19W/18W	19W/18W	4.8W
Electric current	0.12A/0.11A	0.24A/0.22A	0.20A
Dimension-Including fans	152x152x108mm		
Dimension	152x152x70mm		
Noise	44dB(A)		
Combined airvolume	35m ³ /h		
The use of bearing	-15°C~+55°C		
Combination weight	0.9kg		
Single weight	0.33kg		
Dust removal rate	87%		
Colour	RAL7035		
Available fan	120x120	80x80	92x92
Filter Grade	G4		
IP code	IP55		

DIMENSION (mm)

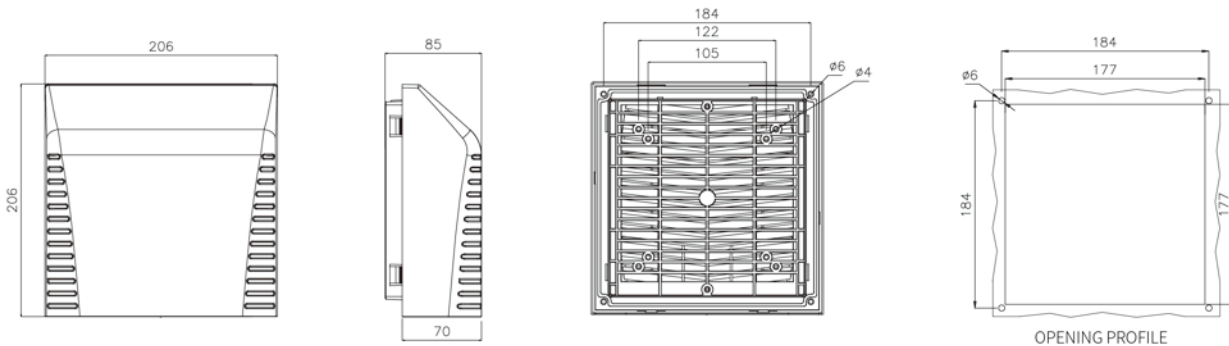




SPECIFICATION

Model	RC9804.230	RC9804.110	RC9804.024
Voltage/Frequency	230V AC 50/60Hz	110V AC 50/60Hz	24V DC
Power	38W/36W	38W/36W	12W
Electric current	0.57A	0.45A/0.42A	0.5A
Dimension-Includingfans	206x206x142mm		
Dimension	206x206x85mm		
Noise	62dB(A)		
Combined airvolume	93m ³ /h		150m ³ /h
The use ofbearing	-15°C~+55°C		
Combination weight	1.7kg		
Single weight	0.55kg		
Dust removal rate	87%		
Colour	RAL7035		
Available fan	120x120, 150x150, 172x150		
Filter Grade	G4		
IP code	IP55		

DIMENSION (mm)

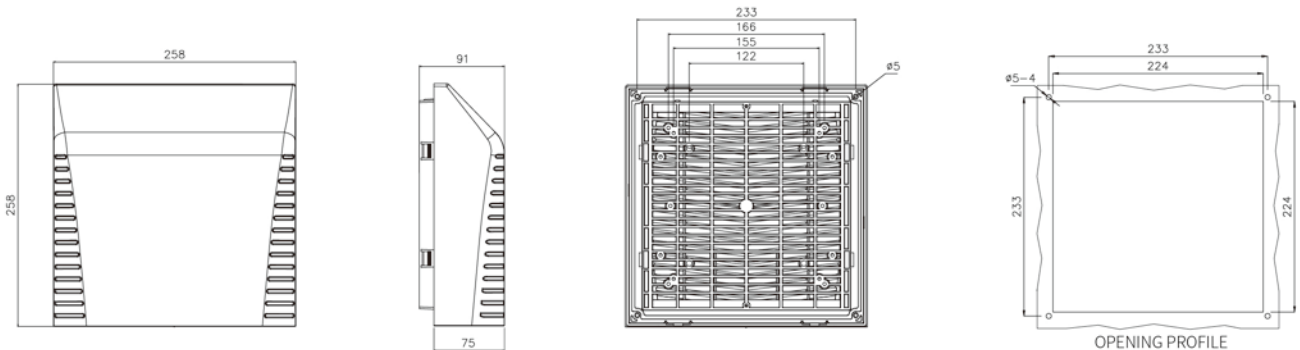




SPECIFICATION

Model	RC9805.230	RC9805.110	RC9805.024
Voltage/Frequency	230V AC 50/60Hz	110V AC 50/60Hz	24V DC
Power	45W	45W	35W
Electric current	0.35A	0.60A	1.4A
Dimension-Includingfans	258x258x151mm		
Dimension	258x258x91mm		
Noise	44dB(A)		
Combined airvolume	90m ³ /h		
The use ofbearing	-15°C~+55°C		
Combination weight	1.5kg		
Single weight	0.86kg		
Dust removal rate	87%		
Colour	RAL7035		
Available fan	172x150, 180x180, 150x150, 200x200		
Filter Grade	G4		
IP code	IP55		

DIMENSION (mm)

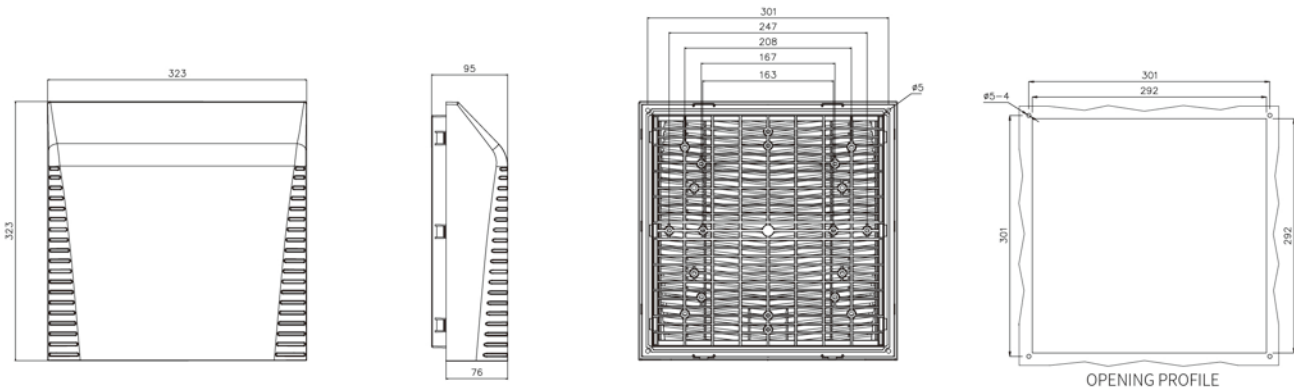




SPECIFICATION

Model	RC9806.230	RC9806.110	RC9806.024
Voltage/Frequency	230V AC 50/60Hz	110V AC 50/60Hz	24V DC
Power	110W/150W	110W/150W	96W
Electric current	0.55A/0.65A	1.0A/1.1A	4.0A
Dimension-Includingfans	323x323x175mm		
Dimension	323x323x95mm		
Noise	65dB(A)		
Combined airvolume	470m ³ /h		
The use ofbearing	-15°C~+55°C		
Combination weight	3.2kg		
Single weight	1.1kg		
Dust removal rate	87%		
Colour	RAL7035		
Available fan	172x150, 200x200, Ø254, 280x280		
Filter Grade	G4		
IP code	IP55		

DIMENSION (mm)





LKF184



LKF240

IP55

CE

RoHS COMPLIANT

-20 +60

SPECIFICATION

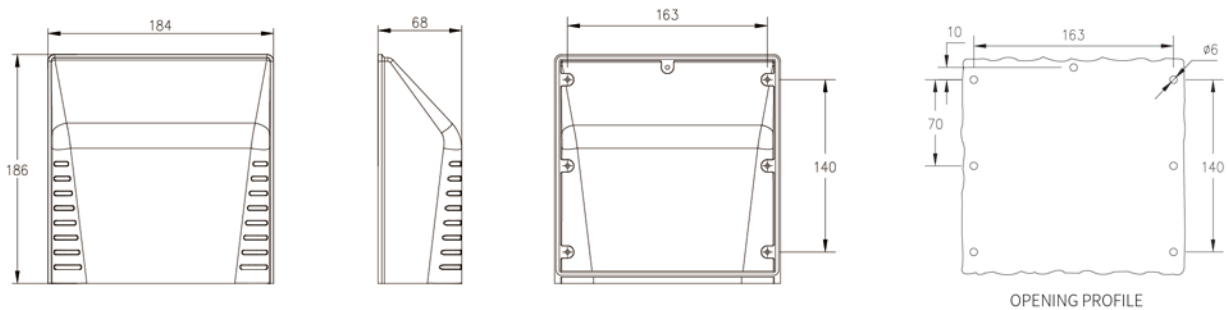
Model	LKF184	LKF240
Dimension	186x184x68mm	242x240x68mm
The use of bearing	-20°C~+60°C	-20°C~+60°C
Single weight	0.18kg	0.29kg
Dust removal rate	87%	87%
Colour	RAL7035	RAL7035
IP code(with filter assembly)	IP55	IP55
Certificate	CE, ROHS	CE, ROHS



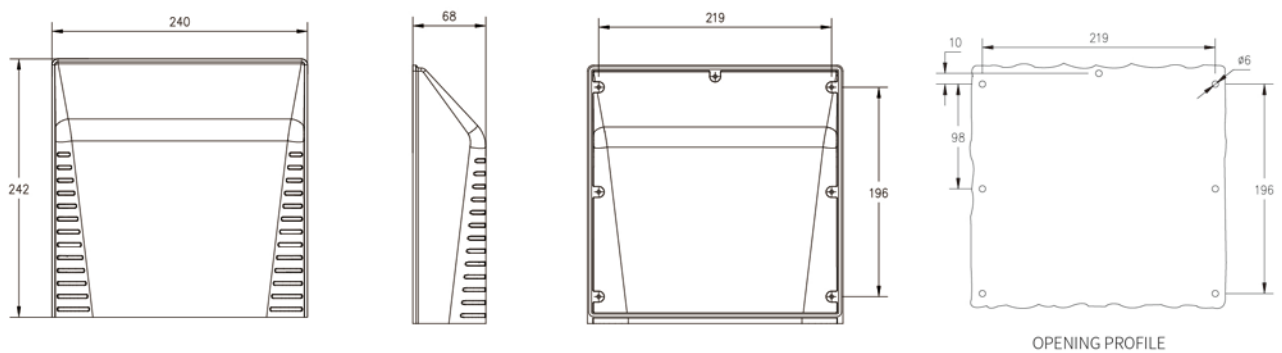
with filter assembly

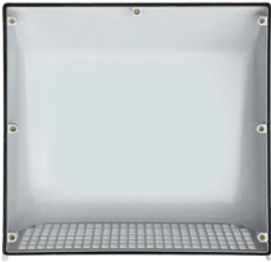
DIMENSION (mm)

LKF184



LKF240





LKF290



LKF357

IP55

CE

RoHS
COMPLIANT

-20 +60
°C

SPECIFICATION

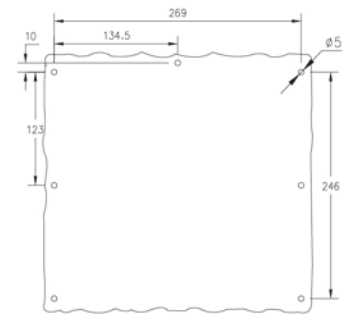
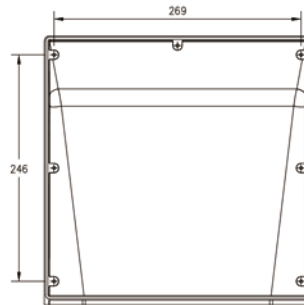
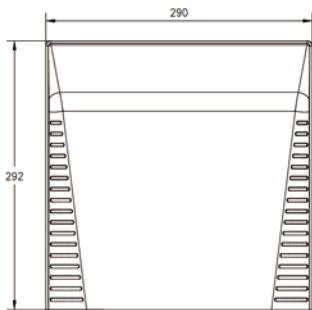
Model	LKF290	LKF357
Dimension	292x290x68mm	360x357x69mm
The use of bearing	-20°C~+60°C	-20°C~+60°C
Single weight	0.43kg	0.62kg
Dust removal rate	87%	87%
Colour	RAL7035	RAL7035
IP code(with filter assembly)	IP55	IP55
Certificate	CE, ROHS	CE, ROHS



with filter assembly

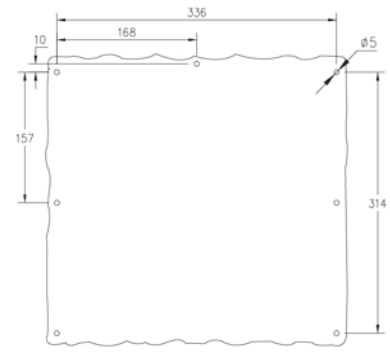
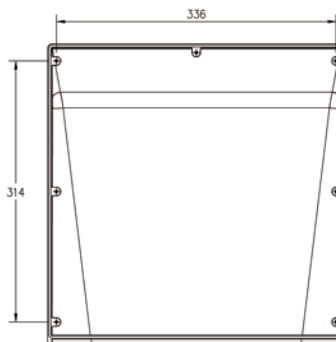
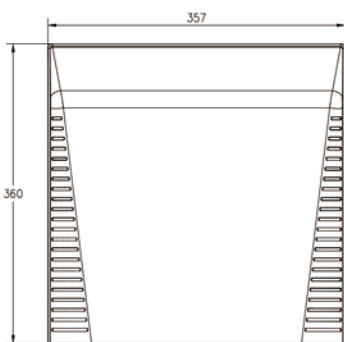
DIMENSION (mm)

LKF290



OPENING PROFILE

LKF357



OPENING PROFILE